

8FGU15.18.20.25.30

8FDU15.18.20.25.30

STANDARD EQUIPMENT

DURABILITY

Fully-stamped steel side panels
 Moisture resistant electric connectors
 High cooling capacity radiator with fan shroud
 Tilt cylinder boots
 Low maintenance battery
 Large capacity engine cooling fan
 7" cyclone air cleaner with high positioned external air-intake
 Plate iron front fenders
 Anti-restart ignition key switch
 Stamped steel engine hood
 Fully-sealed air-intake system
 Self-adjusting brakes
 Rear wheel well covers

SAFETY

System of Active Stability™ (SAS)
 Operator Presence Sensing System (OPSS)
 Bolt-on overhead guard
 Key lowering interlock
 Electric horn
 Neutral engine start safety switch

PERFORMANCE

Long life coolant 50%
 Sedimenter
 Super glow control system
 One-way automatic fork leveling
 Independent brake & inching pedals
 Integrated monitoring system - includes

- Digital hour meter display
- Engine coolant temperature gauge
- Fuel gauge (gasoline only)
- Check engine light
- Sedimentor warning light (diesel only)
- Glow indicator light (diesel only)
- Engine oil pressure warning light
- Battery charge warning light
- OPSS activation light
- SAS/OPSS warning light

 2-stage limited free lift mast (V)
 Adjustable headlights with guards
 Foot-activated parking brake(T/C only)
 Alternator with built-in regulator

Full floating powertrain
 Hydraulic valve lifters
 Integrated head light and turn signal lever
 Electric shift control

ERGONOMICS

Dash mounted instrument display
 300mm diameter two-spoke tilt steering wheel
 Hydrostatic power steering
 Heavy-duty non-slip rubber floor mat
 Cowl-mount hydraulic control levers with rubber boot covers
 12" long dual operator assist grips
 Low wide entry steps
 Dash integrated amenity tray and oversized cup holder
 Adjustable vinyl full-suspension seat
 (longitudinal adjustment:152mm)

SERVICEABILITY

Easy access divided floorboard
 Engine hood assist damper with lock device
 Air cleaner discharge valve
 Externally mounted hydraulic oil return filter
 Dash mounted brake fluid level check
 Easy lift engine hood with wide 75 degree opening
 Jack point

8FGU15

8FDU15

MAIN VEHICLE SPECIFICATIONS

1	Manufacturer			TOYOTA	TOYOTA
2	Model			8FGU15	8FDU15
3	Load Capacity	kg		1500	1500
4	Load Center	mm		500	500
5	Power Type			Gasoline	Diesel
6	Operator Position			Seated Rider	Seated Rider
7	Tire Type			Pneumatic	Pneumatic
8	Wheels (x = driven)	Front / Rear		2x / 2	2x / 2
9	Maximum Fork Height (MFH) (Top of Forks)	in (mm)		131 (3335)	131 (3335)
10	Free Lift (Top of Forks)	in (mm)		5.7 (145)	5.7 (145)
13	Fork Size	T x W x L		1.4 x 4 x 42 (35 x 100 x 1070)	1.4 x 4 x 42 (35 x 100 x 1070)
	Fork Spread (Outer Edge to Edge)	Max / Min	in (mm)	36 (920) / 8 (200)	36 (920) / 8 (200)
14	Tilt Range	Fwd / Bwd	deg	6° / 11°	6° / 11°
15	Length to Fork Face		in (mm)	89.6 (2275)	89.6 (2275)
16	Overall Width		in (mm)	42.1 (1070)	42.1 (1070)
17	Mast Lowered Height		in (mm)	84.5 (2145)	84.5 (2145)
18	Mast Extended Height (Top of Load Backrest)		in (mm)	179.3 (4555)	179.3 (4555)
19	Overhead Guard Height		in (mm)	81.9 (2080)	81.9 (2080)
21	Turning Radius (Outside)		in (mm)	76 (1930)	76 (1930)
22	Load Distance (Centerline of Front Axle to Front Face of Forks)		in (mm)	15.9 (405)	15.9 (405)
	Rear Overhang		in (mm)	15.2 (385)	15.2 (385)
23	Basic Right Angle Stacking Aisle Width (Add Load Length and Clearance)		in (mm)	91.9 (2335)	91.9 (2335)
24	Travel, Max. (Forward / Reverse)	Full Load	mph (km/h)	11.5 (18.5) / 11.5 (18.5)	11.8 (19.0) / 11.8 (19.0)
		No Load	mph (km/h)	11.8 (19.0) / 11.8 (19.0)	12.1 (19.5) / 12.1 (19.5)
25	Speeds	Full Load	fpm (mm/sec)	131 (665)	128 (650)
		No Load	fpm (mm/sec)	134 (680)	133 (675)
26	Lowering	Full Load	fpm (mm/sec)	98 (500)	98 (500)
		No Load	fpm (mm/sec)	108 (550)	108 (550)
28	Drawbar Pull, Max.	Full Load	lb <N>	4400 <19500>	4040 <18000>
		No Load	lb <N>	1550 <6900>	1570 <7000>
29	Gradeability at 1 mph (1.5 km/h) ¹	Full Load	%	45	45
30	Gradeability, Max. ¹	Full Load	%	45	45
		No Load	%	22	22
32	Total Weight		lb (kg)	5500 (2500)	5590 (2550)
33	Weight Distribution	Full Load	Front / Rear	7560 (3560) / 940 (440)	7590 (3580) / 1000 (470)
34		No Load	Front / Rear	2500 (1140) / 3000 (1360)	2540 (1160) / 3050 (1390)
35		Number	Front / Rear	2 / 2	2 / 2
36	Tires	Size	Front	6.50-10-10PR(1)	6.50-10-10PR(1)
37			Rear	5.00-8-8PR(1)	5.00-8-8PR(1)
38	Wheelbase		in (mm)	58.5 (1485)	58.5 (1485)
39	Tread Width	Front	in (mm)	35.3 (895)	35.3 (895)
		Rear	in (mm)	35.2 (895)	35.2 (895)
40	Underclearance (Full Load)	Min. with Load	in (mm)	3.9 (100)	3.9 (100)
41		Center of Wheelbase	in (mm)	4.5 (115)	4.5 (115)
42	Brake	Service (Foot)		Hydraulic	Hydraulic
43		Parking (Foot)		Mechanical	Mechanical
45	Battery	Voltage / Capacity (5HR)	V / AH	12 / 48	12 / 55
49	Internal Combustion Engine	Make / Model		Toyota / 4Y	Toyota / 1DZ-II
50		Rated Horsepower @ r.p.m.	kW	40 @ 2400	40 @ 2400
51		Rated Torque @ r.p.m.	N-m	162 @ 1800	167 @ 1600
52		Number of Cylinders		4	4
	Piston Displacement	cu in. (cc)		136 (2237)	152 (2486)
	Fuel Tank Capacity	US gal (liter)		12 (45)	12 (45)
55	Transmission	Type		Powershift	Powershift
		Speeds	Forward / Reverse		1 / 1
57	Aux. Hydraulic Function (For Attachments) ²	Max. Operating Pressure	psi (kg / cm ²)	2275 (160)	2275 (160)
			<Mpa>	<15.7>	<15.7>
58		Max. Flow Rate	lpm	65	65

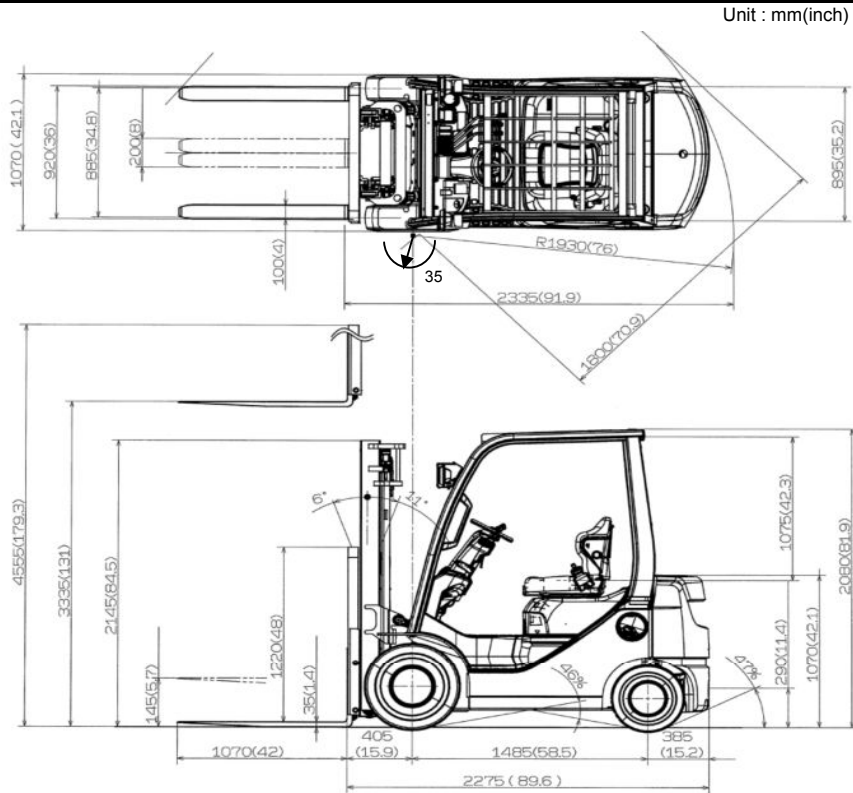
¹ Computed Values. Performance of LPG fuel system may be less than that of standard model shown.

² Values taken at Hydraulic Control Valve. Does not take into consideration losses through mast plumbing (hosing, fittings, QDs, etc.)

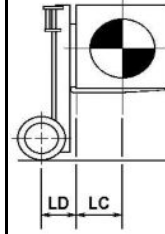
8FGU15

8FDU15

DIMENSIONAL DRAWING



RATED CAPACITY



PC = Published Maximum Fork Height (MFH) Capacity @ 24" Load Center (lbs.)
 LC = Desired Load Center (in.)
 LD = Load Distance (in.) (Reference Chart Below)
 W = Capacity at LC (lbs.)

	Load Distance (LD)	
V	15.9	in.
FV	15.9	in.
FSV	16.7	in.

$$W^* = PC \times \left(\frac{LD + 24}{LD + LC} \right)$$

*Should W calculate to a value greater than 3,000 lbs., then maximum capacity at the desired load center is no greater than 3,000 lbs. This calculation has been provided for estimation purposes ONLY. For official rated capacity values, please submit capacity requests through the Capacity Quote/Nameplate Request System. (All capacities based on standard forks)

* Contact Factory for Tilt Limit Specifications

VARIABLE DIMENSIONS

Unit : inch (mm)

	V & FV	FSV
Load Distance	15.9 (405)	16.7 (425)
Length to Fork Face	89.6 (2275)	90.4 (2295)
Basic Right Angle Stacking	91.9 (2335)	---
Intersecting Aisle Width	70.9 (1800)	---

I.T.A. CARRIAGE CLASS II

UNDERCLEARANCE

Unit : inch (mm)

Mast	Full Load	3.9 (100)
Drive Axle	Full Load	4.1 (105)
Steer Axle	No Load	4.7 (120)
Center of Wheelbase	Full Load	4.5 (115)
Counterweight	No Load	4.7 (120)

WHEEL & TIRE CONFIGURATIONS

	Drive Wheel & Tire		Steer Wheel & Tire
	V, FV, FSV Mast All Heights		
	Narrow Tread	Wide Tread	Standard Rear Tires
Standard / Option	Standard	Option	Standard
Overall Width	42.1 (1070)	46.1 (1170)	---
Tread Width	35.3 (895)	39.2 (995)	35.2 (895)

Unit : inch (mm)

NOTE : 1. There are no differences in dimension between air pneumatic tires and solid tires.
 2. For specifications and availability of tires, please refer to the "Tire Availability".

8FGU15

8FDU15

OPTIONAL MASTS SPECIFICATIONS AND VARIABLE DIMENSIONS

Wide Visible Mast (V), Wide Visible Full-Free Lift Two-Stage Mast (FV), Wide Visible Full-Free Lift Three Stage Mast (FSV),

Model				8FGU15			8FDU15		
Type of Mast				V	FV	FSV	V	FV	FSV
PERFORMANCE									
Speeds	Lifting	Full Load	fpm (mm/sec)	131 (665)	121 (615)	122 (620)	128 (650)	118 (600)	122 (620)
		No Load	fpm (mm/sec)	134 (680)	124 (630)	125 (635)	133 (675)	126 (640)	128 (650)
	Lowering	Full Load	fpm (mm/sec)	98 (500)	94 (480)	94 (480)	98 (500)	94 (480)	94 (480)
		No Load	fpm (mm/sec)	108 (550)	83 (420)	89 (450)	108 (550)	83 (420)	89 (450)

MAST SPECIFICATIONS & RATED CAPACITIES

Mast Type	Maximum Fork Height (top of forks)	Overall Height			Free Lift		Single Tire			
		Lowered	Extended		Without Load Backrest	With Standard Load Backrest	Tilt Range		Load Capacity at 500mm Load Center	
			Without Load Backrest	With Standard Load Backrest			FWD	BWD	Narrow Tread	Wide Tread
		in (mm)	in (mm)	in (mm)	in (mm)	in (mm)	deg	deg	kg	kg
V	80 (2035)	58.9 (1495)	104.1 (2645)	128.1 (3255)	5.7 (145)	5.7 (145)	6	11	1500	1500
	119 (3035)	78.5 (1995)	143.5 (3645)	167.5 (4255)	5.7 (145)	5.7 (145)	6	11	1500	1500
	131 (3335)	84.5 (2145)	155.3 (3945)	179.3 (4555)	5.7 (145)	5.7 (145)	6	11	1500	1500
	139 (3535)	88.4 (2245)	163.2 (4145)	187.2 (4755)	5.7 (145)	5.7 (145)	6	11	1500	1500
	147 (3735)	94.7 (2405)	171.1 (4345)	195.1 (4955)	5.7 (145)	5.7 (145)	6	11	1500	1500
	158.5 (4035)	102.2 (2595)	182.9 (4645)	206.9 (5255)	5.7 (145)	5.7 (145)	6	11	1500	1500
FV	119 (3035)	78.5 (1995)	141.9 (3605)	167.5 (4255)	56.1 (1430)	30.5 (775)	6	11	1500	1500
	131 (3335)	84.5 (2145)	153.7 (3905)	179.3 (4555)	62 (1580)	36.4 (925)	6	11	1500	1500
	139 (3535)	88.4 (2245)	161.6 (4105)	187.2 (4755)	65.9 (1680)	40.4 (1025)	6	11	1500	1500
FSV	158.5 (4035)	74.6 (1895)	180.1 (4575)	206.9 (5255)	53.3 (1360)	25.0 (635)	6	6	1400	1400
	170.5 (4335)	78.5 (1995)	191.9 (4875)	218.7 (5555)	57.3 (1460)	28.9 (735)	6	6	1400	1400
	189 (4800)	84.4 (2145)	209.6 (5325)	236.6 (6010)	63.2 (1610)	34.8 (885)	6	6	1300 [1350]	1400
	198 (5035)	88.4 (2245)	219.5 (5575)	246.3 (6255)	67.1 (1710)	38.8 (985)	6	6	1200 [1300]	1300
	217.5 (5535)	94.7 (2405)	239.2 (6075)	265.9 (6755)	73.4 (1870)	45.1 (1145)	6	6	950 [1000]	1000
	237.5 (6035)	102.2 (2595)	258.9 (6575)	285.6 (7255)	80.9 (2060)	52.6 (1335)	6	6	700 [750]	750

Note: Height of standard load backrest is 48 in. (1220 mm)

Attachment capacities (including Sideshifters) are located in Section 6.1 - Lifting Capacities For Options.

[] for optional front pneumatic shaped cushion tires.

8FGU15

8FDU15

RATED CAPACITIES FOR NON-ATTACHMENT OPTIONS

Wide Visible Full-Free Lift Two-Stage Mast (FV), Wide Visible Full-Free Lift Three Stage Mast (FSV)

3 DEGREE BACKWARDS TILT OPTION

Mast Type	Maximum Fork Height (top of forks)	Single Tire				Dual Tire
		Tilt Range		Load Capacity at 500mm Load Center		Load Capacity at 500mm Load Center
	FWD	BWD	Narrow Tread	Wide Tread	Narrow Tread	
	in (mm)	deg	deg	kg	kg	kg
FSV	158.5 (4035)	6°	3°	0	0	N/A
	170.5 (4335)	6°	3°	0	0	N/A
	189 (4800)	6°	3°	0	0	N/A
	198 (5035)	6°	3°	0	0	N/A
	217.5 (5535)	6°	3°	+ 100	+ 100	N/A
	237.5 (6035)	6°	3°	+ 100	+ 100	N/A

*Add the value to rated capacity of STD.

SOLID TIRE OPTION¹

Mast Type	Maximum Fork Height (top of forks)	Single Tire		
		Tilt Range		Load Capacity at 500mm Load Center
	FWD	BWD	Narrow Tread	
	in (mm)	deg	deg	kg
FSV	189 (4800)	6	6	1350
	198 (5035)	6	6	1300
	217.5 (5535)	6	6	1000
	237.5 (6035)	6	6	750

Note 1: The solid tire option capacities are the same as the pneumatic tires except for the masts listed in this chart.

3 DEGREE BACKWARDS TILT OPTION & SOLID TIRE OPTION

Mast Type	Maximum Fork Height (top of forks)	Single Tire				Dual Tire
		Tilt Range		Load Capacity at 500mm Load Center		Load Capacity at 500mm Load Center
	FWD	BWD	Narrow Tread	Wide Tread	Narrow Tread	
	in (mm)	deg	deg	lb (kg)	lb (kg)	lb (kg)
FV	TBA	TBA	TBA	TBA	TBA	TBA
	TBA	TBA	TBA	TBA	TBA	TBA
	TBA	TBA	TBA	TBA	TBA	TBA
FSV	TBA	TBA	TBA	TBA	TBA	TBA
	TBA	TBA	TBA	TBA	TBA	TBA
	TBA	TBA	TBA	TBA	TBA	TBA

Note: Height of standard load backrest is 48 in. (1220 mm)

Attachment capacities (including Sideshifter) are located in Section 6.1 - Lifting Capacities For Options.

8FGU18

8FDU18

MAIN VEHICLE SPECIFICATIONS

1	Manufacturer			TOYOTA	TOYOTA	
2	Model			8FGU18	8FDU18	
3	Load Capacity		kg	1750	1750	
4	Load Center		mm	500	500	
5	Power Type			Gasoline	Diesel	
6	Operator Position			Seated Rider	Seated Rider	
7	Tire Type			Pneumatic	Pneumatic	
8	Wheels (x = driven)		Front / Rear	2x / 2	2x / 2	
9	Maximum Fork Height (MFH) (Top of Forks)		in (mm)	131 (3335)	131 (3335)	
10	Free Lift (Top of Forks)		in (mm)	5.7 (145)	5.7 (145)	
13	Fork Size		T x W x L	1.4 x 4 x 42 (35 x 100 x 1070)	1.4 x 4 x 42 (35 x 100 x 1070)	
	Fork Spread (Outer Edge to Edge)		Max / Min	36 (920) / 8 (200)	36 (920) / 8 (200)	
14	Tilt Range		Fwd / Bwd	6° / 11°	6° / 11°	
15	Length to Fork Face		in (mm)	90.7 (2305)	90.7 (2305)	
16	Overall Width		in (mm)	42.1 (1070)	42.1 (1070)	
17	Mast Lowered Height		in (mm)	84.5 (2145)	84.5 (2145)	
18	Mast Extended Height (Top of Load Backrest)		in (mm)	179.3 (4555)	179.3 (4555)	
19	Overhead Guard Height		in (mm)	81.9 (2080)	81.9 (2080)	
21	Turning Radius (Outside)		in (mm)	78 (1980)	78 (1980)	
22	Load Distance (Centerline of Front Axle to Front Face of Forks)		in (mm)	15.9 (405)	15.9 (405)	
	Rear Overhang		in (mm)	16.3 (415)	16.3 (415)	
23	Basic Right Angle Stacking Aisle Width (Add Load Length and Clearance)		in (mm)	93.9 (2385)	93.9 (2385)	
24	Travel, Max. (Forward / Reverse)	Full Load	mph (km/h)	11.5 (18.5) / 11.5 (18.5)	11.8 (19.0) / 11.8 (19.0)	
		No Load	mph (km/h)	11.8 (19.0) / 11.8 (19.0)	12.1 (19.5) / 12.1 (19.5)	
25	Lifting	Full Load	fpm (mm/sec)	131 (665)	128 (650)	
		No Load	fpm (mm/sec)	134 (680)	133 (675)	
26	Lowering	Full Load	fpm (mm/sec)	98 (500)	98 (500)	
		No Load	fpm (mm/sec)	108 (550)	108 (550)	
28	Drawbar Pull, Max.	Full Load	lb <N>	3930 <17500>	3930 <17500>	
		No Load	lb <N>	1300 <5800>	1300 <5800>	
29	Gradeability at 1 mph (1.5 km/h) ¹		Full Load	%	40	
30	Gradeability, Max. ¹		Full Load	%	45	
			No Load	%	20	
32	Total Weight		lb (kg)	5920 (2690)	6020 (2730)	
33	Weight Distribution	Full Load	Front / Rear	8400 (3960) / 1020 (480)	8440 (3980) / 1080 (500)	
34		No Load	Front / Rear	2500 (1140) / 3420 (1550)	2540 (1160) / 3480 (1570)	
35	Number		Front / Rear	2 / 2	2 / 2	
36	Tires	Size	Front	6.50-10-10PR(1)	6.50-10-10PR(1)	
37		Rear	Rear	5.00-8-8PR(1)	5.00-8-8PR(1)	
38	Wheelbase		in (mm)	58.5 (1485)	58.5 (1485)	
39	Tread Width	Front	in (mm)	35.3 (895)	35.3 (895)	
		Rear	in (mm)	35.2 (895)	35.2 (895)	
40	Underclearance (Full Load)	Min. with Load	in (mm)	3.9 (100)	3.9 (100)	
41		Center of Wheelbase	in (mm)	4.5 (115)	4.5 (115)	
42	Brake	Service (Foot)		Hydraulic	Hydraulic	
43		Parking (Foot)		Mechanical	Mechanical	
45	Battery		V / AH	12 / 48	12 / 55	
49	Make / Model			Toyota / 4Y	Toyota / 1DZ-II	
50	Rated Horsepower @ r.p.m.		kW	40 @ 2400	40 @ 2400	
51	Internal Combustion Engine	Rated Torque @ r.p.m.		N-m	162 @ 1800	167 @ 1600
		Number of Cylinders			4	4
52		Piston Displacement		cu in. (cc)	136 (2237)	152 (2486)
		Fuel Tank Capacity		US gal (liter)	12 (45)	12 (45)
55	Transmission	Type			Powershift	Powershift
		Speeds		Forward / Reverse	1 / 1	1 / 1
57	Aux. Hydraulic Function (For Attachments) ²	Max. Operating Pressure		psi (kg / cm ²)	2275 (160)	2275 (160)
				<Mpa>	<15.7>	<15.7>
58	Max. Flow Rate		lpm	65	65	

¹ Computed Values. Performance of LPG fuel system may be less than that of standard model shown.

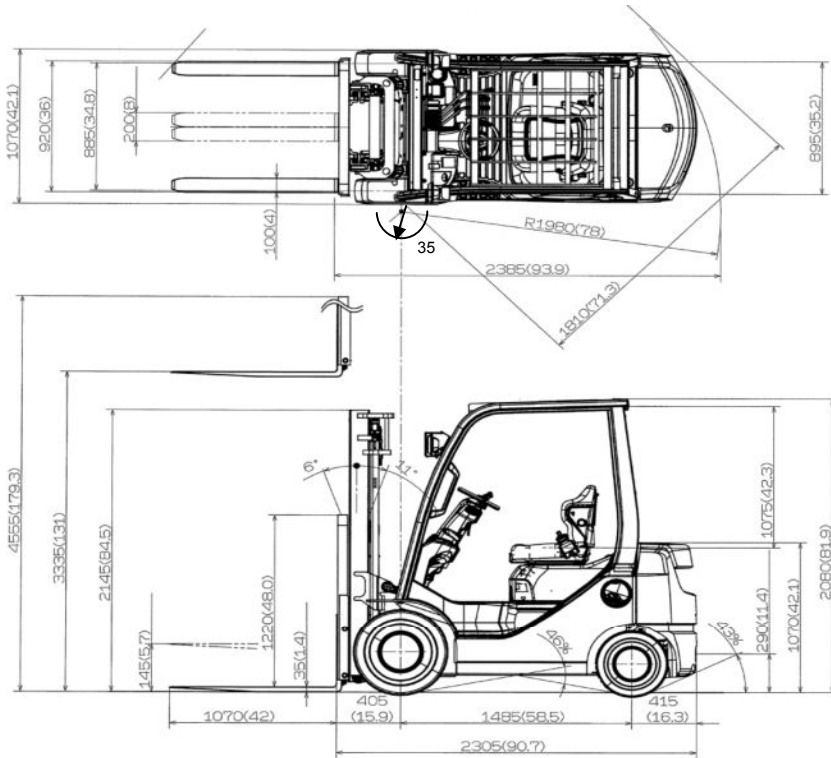
² Values taken at Hydraulic Control Valve. Does not take into consideration losses through mast plumbing (hosing, fittings, QDs, etc.)

8FGU18

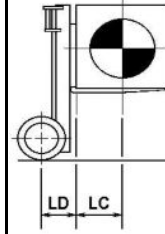
8FDU18

DIMENSIONAL DRAWING

Unit : mm(inch)



RATED CAPACITY



PC = Published Maximum Fork Height (MFH) Capacity @ 24" Load Center (lbs.)
 LC = Desired Load Center (in.)
 LD = Load Distance (in.) (Reference Chart Below)
 W = Capacity at LC (lbs.)

	Load Distance (LD)	
V	15.9	in.
FV	15.9	in.
FSV	16.7	in.

$$W^* = PC \times \left(\frac{LD + 24}{LD + LC} \right)$$

*Should W calculate to a value greater than 3,500 lbs., then maximum capacity at the desired load center is no greater than 3,500 lbs. This calculation has been provided for estimation purposes ONLY. For official rated capacity values, please submit capacity requests through the Capacity Quote/Nameplate Request System. (All capacities based on standard forks)

* Contact Factory for Tilt Limit Specifications

VARIABLE DIMENSIONS

Unit : inch (mm)

	V & FV	FSV
Load Distance	15.9 (405)	16.7 (425)
Length to Fork Face	90.7 (2305)	91.5 (2325)
Basic Right Angle Stacking	93.9 (2385)	---
Intersecting Aisle Width	71.3 (1810)	---

I.T.A. CARRIAGE CLASS II

UNDERCLEARANCE

Unit : inch (mm)

Mast	Full Load	3.9 (100)
Drive Axle	Full Load	4.1 (105)
Steer Axle	No Load	4.7 (120)
Center of Wheelbase	Full Load	4.5 (115)
Counterweight	No Load	4.7 (120)

WHEEL & TIRE CONFIGURATIONS

	Drive Wheel & Tire		Steer Wheel & Tire
	V, FV, FSV Mast All Heights		
	Narrow Tread	Wide Tread	Standard Rear Tires
Standard / Option	Standard	Option	Standard
Overall Width	42.1 (1070)	46.1 (1170)	---
Tread Width	35.3 (895)	39.2 (995)	35.2 (895)

Unit : inch (mm)

NOTE : 1. There are no differences in dimension between air pneumatic tires and solid tires.
 2. For specifications and availability of tires, please refer to the "Tire Availability".

8FGU18

8FDU18

OPTIONAL MASTS SPECIFICATIONS AND VARIABLE DIMENSIONS

Wide Visible Mast (V), Wide Visible Full-Free Lift Two-Stage Mast (FV), Wide Visible Full-Free Lift Three Stage Mast (FSV),

Model				8FGU18			8FDU18		
Type of Mast				V	FV	FSV	V	FV	FSV
PERFORMANCE									
Speeds	Lifting	Full Load	fpm (mm/sec)	131 (665)	121 (615)	122 (620)	128 (650)	118 (600)	122 (620)
		No Load	fpm (mm/sec)	134 (680)	124 (630)	125 (635)	133 (675)	126 (640)	128 (650)
	Lowering	Full Load	fpm (mm/sec)	98 (500)	94 (480)	94 (480)	98 (500)	94 (480)	94 (480)
		No Load	fpm (mm/sec)	108 (550)	83 (420)	89 (450)	108 (550)	83 (420)	89 (450)

MAST SPECIFICATIONS & RATED CAPACITIES

Mast Type	Maximum Fork Height (top of forks)	Overall Height			Free Lift		Single Tire			
		Lowered	Extended		Without Load Backrest	With Standard Load Backrest	Tilt Range		Load Capacity at 500mm Load Center	
			Without Load Backrest	With Standard Load Backrest			FWD	BWD	Narrow Tread	Wide Tread
		in (mm)	in (mm)	in (mm)	in (mm)	in (mm)	deg	deg	kg	kg
V	80 (2035)	58.9 (1495)	104.1 (2645)	128.1 (3255)	5.7 (145)	5.7 (145)	6	11	1750	1750
	119 (3035)	78.5 (1995)	143.5 (3645)	167.5 (4255)	5.7 (145)	5.7 (145)	6	11	1750	1750
	131 (3335)	84.5 (2145)	155.3 (3945)	179.3 (4555)	5.7 (145)	5.7 (145)	6	11	1750	1750
	139 (3535)	88.4 (2245)	163.2 (4145)	187.2 (4755)	5.7 (145)	5.7 (145)	6	11	1750	1750
	147 (3735)	94.7 (2405)	171.1 (4345)	195.1 (4955)	5.7 (145)	5.7 (145)	6	11	1700 [1750]	1750
	158.5 (4035)	102.2 (2595)	182.9 (4645)	206.9 (5255)	5.7 (145)	5.7 (145)	6	11	1650 [1700]	1750
FV	119 (3035)	78.5 (1995)	141.9 (3605)	167.5 (4255)	56.1 (1430)	30.5 (775)	6	11	1750	1750
	131 (3335)	84.5 (2145)	153.7 (3905)	179.3 (4555)	62 (1580)	36.4 (925)	6	11	1750	1750
	139 (3535)	88.4 (2245)	161.6 (4105)	187.2 (4755)	65.9 (1680)	40.4 (1025)	6	11	1750	1750
FSV	158.5 (4035)	74.6 (1895)	180.1 (4575)	206.9 (5255)	53.3 (1360)	25.0 (635)	6	6	1600	1600
	170.5 (4335)	78.5 (1995)	191.9 (4875)	218.7 (5555)	57.3 (1460)	28.9 (735)	6	6	1550	1600
	189 (4800)	84.4 (2145)	209.6 (5325)	236.6 (6010)	63.2 (1610)	34.8 (885)	6	6	1300 [1400]	1500
	198 (5035)	88.4 (2245)	219.5 (5575)	246.3 (6255)	67.1 (1710)	38.8 (985)	6	6	1150 [1300]	1450
	217.5 (5535)	94.7 (2405)	239.2 (6075)	265.9 (6755)	73.4 (1870)	45.1 (1145)	6	6	850 [1000]	1100
	237.5 (6035)	102.2 (2595)	258.9 (6575)	285.6 (7255)	80.9 (2060)	52.6 (1335)	6	6	600 [700]	850

Note: Height of standard load backrest is 48 in. (1220 mm)

Attachment capacities (including Sideshifters) are located in Section 6.1 - Lifting Capacities For Options.

[] for optional front pneumatic shaped cushion tires.

8FGU18

8FDU18

RATED CAPACITIES FOR NON-ATTACHMENT OPTIONS

Wide Visible Full-Free Lift Two-Stage Mast (FV), Wide Visible Full-Free Lift Three Stage Mast (FSV)

3 DEGREE BACKWARDS TILT OPTION

Mast Type	Maximum Fork Height (top of forks)	Single Tire				Dual Tire
		Tilt Range		Load Capacity at 500mm Load Center		Load Capacity at 500mm Load Center
	in (mm)	FWD deg	BWD deg	Narrow Tread kg	Wide Tread kg	Narrow Tread kg
FSV	158.5 (4035)	6°	3°	0	0	N/A
	170.5 (4335)	6°	3°	0	0	N/A
	189 (4800)	6°	3°	0	0	N/A
	198 (5035)	6°	3°	+ 100	0	N/A
	217.5 (5535)	6°	3°	+ 100	+ 100	N/A
	237.5 (6035)	6°	3°	+ 100	+ 100	N/A

*Add the value to rated capacity of STD.

SOLID TIRE OPTION¹

Mast Type	Maximum Fork Height (top of forks)	Single Tire		
		Tilt Range		Load Capacity at 500mm Load Center
	in (mm)	FWD deg	BWD deg	Narrow Tread kg
FSV	189 (4800)	6	6	1400
	198 (5035)	6	6	1300
	217.5 (5535)	6	6	1000
	237.5 (6035)	6	6	700

Note 1: The solid tire option capacities are the same as the pneumatic tires except for the masts listed in this chart.

3 DEGREE BACKWARDS TILT OPTION & SOLID TIRE OPTION

Mast Type	Maximum Fork Height (top of forks)	Single Tire				Dual Tire
		Tilt Range		Load Capacity at 500mm Load Center		Load Capacity at 500mm Load Center
	in (mm)	FWD deg	BWD deg	Narrow Tread lb (kg)	Wide Tread lb (kg)	Narrow Tread lb (kg)
FV	TBA	TBA	TBA	TBA	TBA	TBA
	TBA	TBA	TBA	TBA	TBA	TBA
	TBA	TBA	TBA	TBA	TBA	TBA
FSV	TBA	TBA	TBA	TBA	TBA	TBA
	TBA	TBA	TBA	TBA	TBA	TBA
	TBA	TBA	TBA	TBA	TBA	TBA

Note: Height of standard load backrest is 48 in. (1220 mm)

Attachment capacities (including Sideshifter) are located in Section 6.1 - Lifting Capacities For Options.

8FGU20

8FDU20

MAIN VEHICLE SPECIFICATIONS

1	Manufacturer			TOYOTA	TOYOTA
2	Model			8FGU20	8FDU20
3	Load Capacity	kg		2000	2000
4	Load Center	mm		500	500
5	Power Type			Gasoline	Diesel
6	Operator Position			Seated Rider	Seated Rider
7	Tire Type			Pneumatic	Pneumatic
8	Wheels (x = driven)	Front / Rear		2x / 2	2x / 2
9	Maximum Fork Height (MFH) (Top of Forks)	in (mm)		131.5 (3340)	131.5 (3340)
10	Free Lift (Top of Forks)	in (mm)		6.1 (155)	6.1 (155)
13	Fork Size	T x W x L	in (mm)	1.6 x 5 x 42 (40 x 125 x 1070)	1.6 x 5 x 42 (40 x 125 x 1070)
	Fork Spread (Outer Edge to Edge)	Max / Min	in (mm)	40 (1020) / 10 (250)	40 (1020) / 10 (250)
14	Tilt Range	Fwd / Bwd	deg	6° / 11°	6° / 11°
15	Length to Fork Face		in (mm)	101.4 (2575)	101.4 (2575)
16	Overall Width		in (mm)	45.3 (1150)	45.3 (1150)
17	Mast Lowered Height		in (mm)	84.5 (2145)	84.5 (2145)
18	Mast Extended Height (Top of Load Backrest)		in (mm)	179.5 (4560)	179.5 (4560)
19	Overhead Guard Height		in (mm)	83.1 (2110)	83.1 (2110)
21	Turning Radius (Outside)		in (mm)	84.7 (2150)	84.7 (2150)
22	Load Distance (Centerline of Front Axle to Front Face of Forks)		in (mm)	18.5 (470)	18.5 (470)
	Rear Overhang		in (mm)	17.9 (455)	17.9 (455)
23	Basic Right Angle Stacking Aisle Width (Add Load Length and Clearance)		in (mm)	103.2 (2620)	103.2 (2620)
24	Travel, Max. (Forward / Reverse)	Full Load	mph (km/h)	10.9 (17.5) / 10.9 (17.5)	11.8 (19.0) / 11.8 (19.0)
		No Load	mph (km/h)	11.2 (18.0) / 11.2 (18.0)	12.1 (19.5) / 12.1 (19.5)
25	Speeds	Full Load	fpm (mm/sec)	118 (600)	121 (615)
		No Load	fpm (mm/sec)	126 (640)	129 (655)
26	Lowering	Full Load	fpm (mm/sec)	98 (500)	98 (500)
		No Load	fpm (mm/sec)	98 (500)	98 (500)
28	Drawbar Pull, Max.	Full Load	lb <N>	4250 <19000>	4250 <19000>
		No Load	lb <N>	2020 <9000>	2040 <9100>
29	Gradeability at 1 mph (1.5 km/h) ¹	Full Load	%	37	36
30	Gradeability, Max. ¹	Full Load	%	41	41
		No Load	%	23	23
32	Total Weight		lb (kg)	7080 (3210)	7170 (3260)
33	Weight Distribution	Full Load	Front / Rear	9750 (4600) / 1330 (610)	9790 (4620) / 1380 (640)
34		No Load	Front / Rear	3130 (1420) / 3950 (1790)	3160 (1440) / 4010 (1820)
35		Number	Front / Rear	2 / 2	2 / 2
36	Tires	Size	Front	7.00-12-12PR (I)	7.00-12-12PR (I)
37			Rear	6.00-9-10PR (I)	6.00-9-10PR (I)
38	Wheelbase		in (mm)	65 (1650)	65 (1650)
39	Tread Width	Front	in (mm)	37.8 (960)	37.8 (960)
		Rear	in (mm)	38.0 (965)	38.0 (965)
40	Underclearance (Full Load)	Min. with Load	in (mm)	3.7 (95)	3.7 (95)
41		Center of Wheelbase	in (mm)	5.5 (140)	5.5 (140)
42	Brake	Service (Foot)		Hydraulic	Hydraulic
43		Parking (Foot)		Mechanical	Mechanical
45	Battery	Voltage / Capacity (5HR)	V / AH	12 / 48	12 / 55
49	Internal Combustion Engine	Make / Model		Toyota / 4Y	Toyota / 1DZ-II
50		Rated Horsepower @ r.p.m.	kW	40 @ 2400	44 @ 2600
51		Rated Torque @ r.p.m.	N-m	162 @ 1800	160 @ 2500
52		Number of Cylinders		4	4
	Piston Displacement	cu in. (cc)		136 (2237)	152 (2486)
	Fuel Tank Capacity	US gal (liter)		15.9 (60)	15.9 (60)
55	Transmission	Type		Powershift	Powershift
		Speeds	Forward / Reverse		1 / 1
57	Aux. Hydraulic Function (For Attachments) ²	Max. Operating Pressure	psi (kg / cm ²)	2275 (160)	2275 (160)
			<Mpa>	<15.7>	<15.7>
	Max. Flow Rate		lpm	65	65

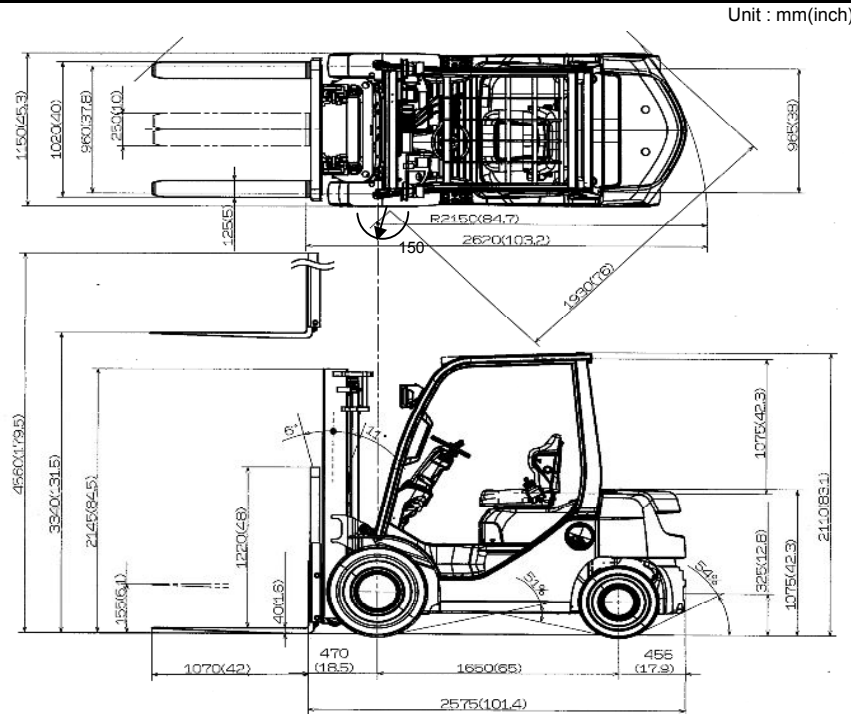
¹ Computed Values. Performance of LPG fuel system may be less than that of standard model shown.

² Values taken at Hydraulic Control Valve. Does not take into consideration losses through mast plumbing (hosing, fittings, QDs, etc.)

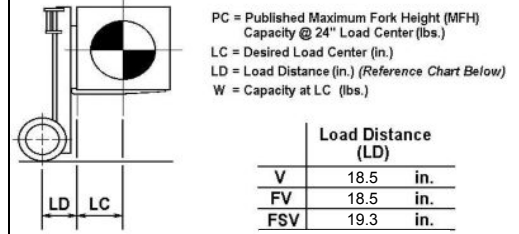
8FGU20

8FDU20

DIMENSIONAL DRAWING



RATED CAPACITY



$$W^* = PC \times \left(\frac{LD + 24}{LD + LC} \right)$$

*Should W calculate to a value greater than 4,000 lbs., then maximum capacity at the desired load center is no greater than 4,000 lbs. This calculation has been provided for estimation purposes ONLY. For official rated capacity values, please submit capacity requests through the Capacity Quote/Nameplate Request System. (All capacities based on standard forks)

* Contact Factory for Tilt Limit Specifications

VARIABLE DIMENSIONS

Unit : inch (mm)

	V & FV	FSV
Load Distance	18.5 (470)	19.3 (490)
Length to Fork Face	101.4 (2575)	102.2 (2595)
Basic Right Angle Stacking	103.2 (2620)	---
Intersecting Aisle Width	76 (1930)	---

I.T.A. CARRIAGE CLASS II

UNDERCLEARANCE

Unit : inch (mm)

Mast	Full Load	3.7 (95)
Drive Axle	Full Load	5.1 (130)
Steer Axle	No Load	6.3 (160)
Center of Wheelbase	Full Load	5.5 (140)
Counterweight	No Load	5.9 (150)

WHEEL & TIRE CONFIGURATIONS

Unit : inch (mm)

	Drive Wheel & Tire						Steer Wheel & Tire
	V, FV Mast All Heights FSV up to 4300mm			FSV Mast 4800mm and higher up to 6000mm		FSV Mast 6500mm and higher	V, FV, FSV Mast All Heights
	Single Narrow	Single Wide Tread (G00A)	Dual Drive Tires (F00C)	Single Narrow (G00F)	Single Wide Tread	Dual Drive Tires (F00C)	Standard Rear Tires
Standard / Option	Standard	Option	Option	Option	Standard	Standard	Standard
Overall Width	45.3 (1150)	50.6 (1285)	63.4 (1610)	45.3 (1150)	50.6 (1285)	63.4 (1610)	---
Tread Width	37.8 (960)	43.1 (1095)	46.9 (1190)	37.8 (960)	43.1 (1095)	46.9 (1190)	38.0 (965)

- NOTE:
1. There are no differences in dimension between air pneumatic tires and solid tires.
 2. For specifications of tires, please refer to the "Tire Availability".
 3. For DUAL DRIVE SOLID TIRES, order F02B & F00C.

8FGU20

8FDU20

OPTIONAL MASTS SPECIFICATIONS AND VARIABLE DIMENSIONS

Wide Visible Mast (V), Wide Visible Full-Free Lift Two-Stage Mast (FV), Wide Visible Full-Free Lift Three Stage Mast (FSV)

Model				8FGU20			8FDU20		
Type of Mast				V	FV	FSV	V	FV	FSV
PERFORMANCE									
Speeds	Lifting	Full Load	fpm (mm/sec)	118 (600)	113 (575)	111 (565)	121 (615)	118 (600)	116 (590)
		No Load	fpm (mm/sec)	126 (640)	118 (600)	118 (600)	129 (655)	126 (640)	124 (630)
	Lowering	Full Load	fpm (mm/sec)	98 (500)	94 (480)	94 (480)	98 (500)	94 (480)	94 (480)
		No Load	fpm (mm/sec)	98 (500)	83 (420)	89 (450)	98 (500)	83 (420)	89 (450)

MAST SPECIFICATIONS & RATED CAPACITIES

Mast Type	Maximum Fork Height (top of forks)	Overall Height				Free Lift		Single Tire				Dual Tire	
		Lowered	Extended		Without Load Backrest	With Standard Load Backrest	Tilt Range		Load Capacity at 500mm Load Center		Tilt Range		Load Capacity at 500mm Load Center
			Without Load Backrest	With Standard Load Backrest			FWD	BWD	Narrow Tread	Wide Tread	FWD	BWD	
		in (mm)	in (mm)	in (mm)	in (mm)	in (mm)	in (mm)	deg	deg	kg	kg	deg	deg
V	80 (2040)	58.9 (1495)	104.7 (2660)	128.3 (3260)	6.1 (155)	6.1 (155)	6	11	2000	2000	6	11	2000
	119.5 (3040)	78.5 (1995)	144.1 (3660)	167.7 (4260)	6.1 (155)	6.1 (155)	6	11	2000	2000	6	11	2000
	131.5 (3340)	84.5 (2145)	155.9 (3960)	179.5 (4560)	6.1 (155)	6.1 (155)	6	11	2000	2000	6	11	2000
	139 (3540)	88.4 (2245)	163.8 (4160)	187.4 (4760)	6.1 (155)	6.1 (155)	6	11	2000	2000	6	11	2000
	147 (3740)	94.7 (2405)	171.7 (4360)	195.3 (4960)	6.1 (155)	6.1 (155)	6	11	2000	2000	6	11	2000
	159 (4040)	102.2 (2595)	183.5 (4660)	207.1 (5260)	6.1 (155)	6.1 (155)	6	11	2000	2000	6	11	2000
FV	119.5 (3040)	78.5 (1995)	143.5 (3645)	167.7 (4260)	55.1 (1400)	30.5 (775)	6	11	2000	2000	6	11	2000
	131.5 (3340)	84.5 (2145)	151.4 (3845)	179.5 (4560)	61 (1550)	36.4 (925)	6	11	2000	2000	6	11	2000
	139 (3540)	88.4 (2245)	163.2 (4145)	187.4 (4760)	65 (1650)	40.4 (1025)	6	11	2000	2000	6	11	2000
FSV	159 (4040)	74.6 (1895)	181.5 (4610)	206.7 (5250)	52.4 (1330)	26.6 (675)	6	6	2000	2000	6	6	2000
	170.5 (4340)	78.5 (1995)	193.3 (4910)	218.5 (5550)	56.3 (1430)	30.5 (775)	6	6	2000	2000	6	6	2000
	189 (4800)	84.5 (2145)	211.4 (5370)	236.6 (6010)	62.2 (1580)	36.4 (915)	6	6	1900	2000	6	6	2000
	198 (5040)	88.4 (2245)	220.9 (5610)	246.1 (6250)	66.1 (1680)	40.4 (1015)	6	6	1750	1950	6	6	1950
	218 (5540)	94.7 (2405)	240.6 (6110)	265.7 (6750)	72.4 (1840)	46.7 (1185)	6	6	1350	1800	6	6	1800
	237.5 (6040)	102.2 (2595)	260.2 (6610)	285.4 (7250)	79.9 (2030)	54.2 (1375)	6	6	1000	1150	6	6	1600
	257.5 (6540)	112 (2845)	279.9 (7110)	305.1 (7750)	89.8 (2280)	64 (1625)	---	---	---	---	6	6	1550
	277 (7040)	121.9 (3095)	299.6 (7610)	324.8 (8250)	99.6 (2530)	73.9 (1875)	---	---	---	---	6	6	1200

* Please submit a TSDR for capacity

Note: Height of standard load backrest is 48 in. (1220 mm)

Attachment capacities (including Sideshifters) are located in Section 6.1 - Lifting Capacities For Options.

8FGU20

8FDU20

RATED CAPACITIES FOR NON-ATTACHMENT OPTIONS

Wide Visible Full-Free Lift Two-Stage Mast (FV), Wide Visible Full-Free Lift Three Stage Mast (FSV)

3 DEGREE BACKWARDS TILT OPTION

Mast Type	Maximum Fork Height (top of forks)	Single Tire				Dual Tire
		Tilt Range		Load Capacity at 500mm Load Center		Load Capacity at 500mm Load Center
	FWD	BWD	Narrow Tread	Wide Tread	Narrow Tread	
	in (mm)	deg	deg	kg	kg	kg
FSV	159 (4040)	6°	3°	0	0	0
	170.5 (4340)	6°	3°	0	0	0
	189 (4800)	6°	3°	0	0	0
	198 (5040)	6°	3°	0	0	0
	218 (5540)	6°	3°	0	0	0
	237.5 (6040)	6°	3°	0	+50	+50
	257.5 (6540)	6°	3°	N/A	N/A	+50
	277 (7040)	6°	3°	N/A	N/A	+50

*Add the value to rated capacity of STD.

SOLID TIRE OPTION¹

Note 1: The solid tire option capacities are the same as the pneumatic tires for this model.

3 DEGREE BACKWARDS TILT OPTION & SOLID TIRE OPTION

Mast Type	Maximum Fork Height (top of forks)	Single Tire				Dual Tire
		Tilt Range		Load Capacity at 500mm Load Center		Load Capacity at 500mm Load Center
	FWD	BWD	Narrow Tread	Wide Tread	Narrow Tread	
	in (mm)	deg	deg	lb (kg)	lb (kg)	lb (kg)
FV	TBA	TBA	TBA	TBA	TBA	TBA
	TBA	TBA	TBA	TBA	TBA	TBA
	TBA	TBA	TBA	TBA	TBA	TBA
FSV	TBA	TBA	TBA	TBA	TBA	TBA
	TBA	TBA	TBA	TBA	TBA	TBA
	TBA	TBA	TBA	TBA	TBA	TBA

Note: Height of standard load backrest is 48 in. (1220 mm)

Attachment capacities (including Sideshifter) are located in Section 6.1 - Lifting Capacities For Options.

8FGU25

8FDU25

MAIN VEHICLE SPECIFICATIONS

1	Manufacturer			TOYOTA	TOYOTA	
2	Model			8FGU25	8FDU25	
3	Load Capacity		kg	2500	2500	
4	Load Center		mm	500	500	
5	Power Type			Gasoline	Diesel	
6	Operator Position			Seated Rider	Seated Rider	
7	Tire Type			Pneumatic	Pneumatic	
8	Wheels (x = driven)		Front / Rear	2x / 2	2x / 2	
9	Maximum Fork Height (MFH) (Top of Forks)		in (mm)	131.5 (3340)	131.5 (3340)	
10	Free Lift (Top of Forks)		in (mm)	6.1 (155)	6.1 (155)	
13	Fork Size		T x W x L	1.6 x 5 x 42 (40 x 125 x 1070)	1.6 x 5 x 42 (40 x 125 x 1070)	
	Fork Spread (Outer Edge to Edge)		Max / Min	40 (1020) / 10 (250)	40 (1020) / 10 (250)	
14	Tilt Range		Fwd / Bwd	6° / 11°	6° / 11°	
15	Length to Fork Face		in (mm)	103.9 (2640)	103.9 (2640)	
16	Overall Width		in (mm)	45.3 (1150)	45.3 (1150)	
17	Mast Lowered Height		in (mm)	84.5 (2145)	84.5 (2145)	
18	Mast Extended Height (Top of Load Backrest)		in (mm)	179.5 (4560)	179.5 (4560)	
19	Overhead Guard Height		in (mm)	83.1 (2110)	83.1 (2110)	
21	Turning Radius (Outside)		in (mm)	87.5 (2220)	87.5 (2220)	
22	Load Distance (Centerline of Front Axle to Front Face of Forks)		in (mm)	18.5 (470)	18.5 (470)	
	Rear Overhang		in (mm)	20.5 (520)	20.5 (520)	
23	Basic Right Angle Stacking Aisle Width (Add Load Length and Clearance)		in (mm)	105.9 (2690)	105.9 (2690)	
24	Travel, Max. (Forward / Reverse)	Full Load	mph (km/h)	10.9 (17.5) / 10.9 (17.5)	11.8 (19.0) / 11.8 (19.0)	
		No Load	mph (km/h)	11.2 (18.0) / 11.2 (18.0)	12.1 (19.5) / 12.1 (19.5)	
25	Speeds	Lifting	Full Load	fpm (mm/sec)	118 (600)	
		No Load	fpm (mm/sec)	126 (640)	129 (655)	
26	Lowering	Full Load	fpm (mm/sec)	98 (500)	98 (500)	
		No Load	fpm (mm/sec)	98 (500)	98 (500)	
28	Drawbar Pull, Max.	Full Load	lb <N>	4250 <19000>	4250 <19000>	
		No Load	lb <N>	1910 <8500>	1930 <8600>	
29	Gradeability at 1 mph (1.5 km/h) ¹		Full Load	%	31	
30	Gradeability, Max. ¹		Full Load	%	34	
			No Load	%	20	
32	Total Weight		lb (kg)	7840 (3560)	7930 (3600)	
33	Weight Distribution	Full Load	Front / Rear	11260 (5330) / 1580 (730)	11300 (5340) / 1630 (760)	
34		No Load	Front / Rear	2980 (1350) / 4860 (2210)	3020 (1370) / 4910 (2230)	
35	Number		Front / Rear	2 / 2	2 / 2	
36	Tires	Size	Front	7.00-12-12PR (I)	7.00-12-12PR (I)	
37		Rear		6.00-9-10PR (I)	6.00-9-10PR (I)	
38	Wheelbase		in (mm)	65 (1650)	65 (1650)	
39	Tread Width	Front	in (mm)	37.8 (960)	37.8 (960)	
		Rear	in (mm)	38.0 (965)	38.0 (965)	
40	Underclearance (Full Load)	Min. with Load	in (mm)	3.7 (95)	3.7 (95)	
41		Center of Wheelbase	in (mm)	5.5 (140)	5.5 (140)	
42	Brake	Service (Foot)		Hydraulic	Hydraulic	
43		Parking (Foot)		Mechanical	Mechanical	
45	Battery		V / AH	12 / 48	12 / 55	
49	Make / Model			Toyota / 4Y	Toyota / 1DZ-II	
50	Rated Horsepower @ r.p.m.		kW	40 @ 2400	44 @ 2600	
51	Internal Combustion Engine	Rated Torque @ r.p.m.		N-m	162 @ 1800	167 @ 1600
		Number of Cylinders			4	4
52		Piston Displacement		cu in. (cc)	136 (2237)	152 (2486)
		Fuel Tank Capacity		US gal (liter)	15.9 (60)	15.9 (60)
55	Transmission	Type			Powershift	Powershift
		Speeds		Forward / Reverse	1 / 1	1 / 1
57	Aux. Hydraulic Function (For Attachments) ²	Max. Operating Pressure		psi (kg / cm ²)	2275 (160)	2275 (160)
				<Mpa>	<15.7>	<15.7>
	Max. Flow Rate		lpm	65	65	

¹ Computed Values. Performance of LPG fuel system may be less than that of standard model shown.

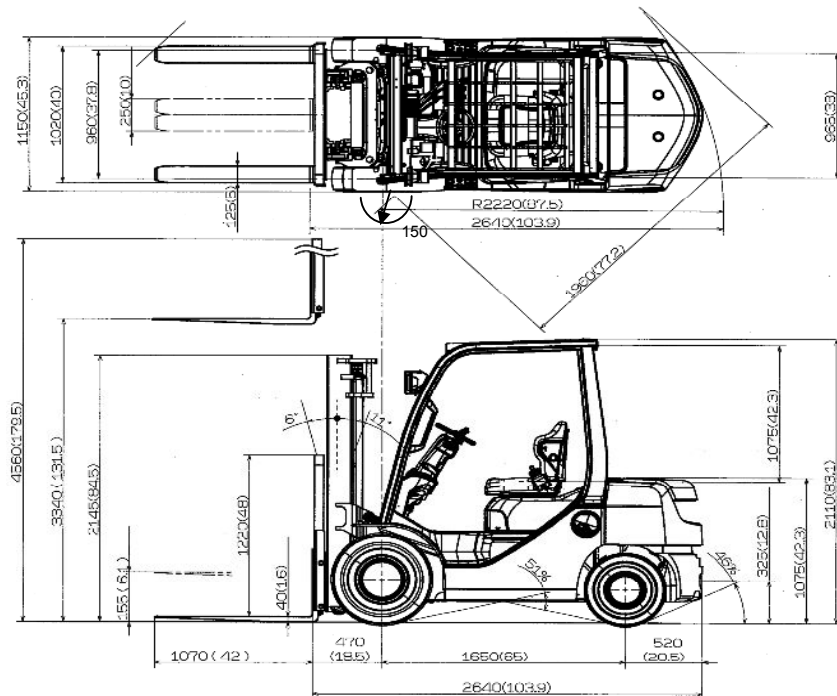
² Values taken at Hydraulic Control Valve. Does not take into consideration losses through mast plumbing (hosing, fittings, QDs, etc.)

8FGU25

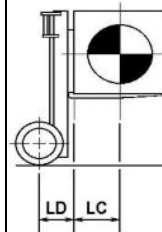
8FDU25

DIMENSIONAL DRAWING

Unit : mm(inch)



RATED CAPACITY



PC = Published Maximum Fork Height (MFH) Capacity @ 24" Load Center (lbs.)
 LC = Desired Load Center (in.)
 LD = Load Distance (in.) (Reference Chart Below)
 W = Capacity at LC (lbs.)

	Load Distance (LD)
V	18.5 in.
FV	18.5 in.
FSV	19.3 in.

$$W^* = PC \times \left(\frac{LD + 24}{LD + LC} \right)$$

*Should W calculate to a value greater than 5,000 lbs., then maximum capacity at the desired load center is no greater than 5,000 lbs. This calculation has been provided for estimation purposes ONLY. For official rated capacity values, please submit capacity requests through the Capacity Quote/Nameplate Request System. (All capacities based on standard forks)

* Contact Factory for Tilt Limit Specifications

VARIABLE DIMENSIONS

Unit : inch (mm)

	V & FV	FSV
Load Distance	18.5 (470)	19.3 (490)
Length to Fork Face	103.9 (2640)	104.7 (2660)
Basic Right Angle Stacking	105.9 (2690)	---
Intersecting Aisle Width	77.2 (1960)	---

I.T.A. CARRIAGE CLASS II

UNDERCLEARANCE

Unit : inch (mm)

Mast	Full Load	3.7 (95)
Drive Axle	Full Load	5.1 (130)
Steer Axle	No Load	6.3 (160)
Center of Wheelbase	Full Load	5.5 (140)
Counterweight	No Load	5.9 (150)

WHEEL & TIRE CONFIGURATIONS

Unit : inch (mm)

	Drive Wheel & Tire						Steer Wheel & Tire
	V, FV Mast All Heights FSV up to 4300mm			FSV Mast 4800mm and higher up to 6000mm		FSV Mast 6500mm and higher	V, FV, FSV Mast All Heights
	Single Narrow	Single Wide Tread (G00A)	Dual Drive Tires (F00C)	Single Narrow (G00F)	Single Wide Tread	Dual Drive Tires (F00C)	Standard Rear Tires
Standard / Option	Standard	Option	Option	Option	Standard	Standard	Standard
Overall Width	45.3 (1150)	50.6 (1285)	63.4 (1610)	45.3 (1150)	50.6 (1285)	63.4 (1610)	---
Tread Width	37.8 (960)	43.1 (1095)	46.9 (1190)	37.8 (960)	43.1 (1095)	46.9 (1190)	38.0 (965)

- NOTE:
1. There are no differences in dimension between air pneumatic tires and solid tires.
 2. For specifications of tires, please refer to the "Tire Availability".
 3. For DUAL DRIVE SOLID TIRES, order F02B & F00C.

8FGU25

8FDU25

OPTIONAL MASTS SPECIFICATIONS AND VARIABLE DIMENSIONS

Wide Visible Mast (V), Wide Visible Full-Free Lift Two-Stage Mast (FV), Wide Visible Full-Free Lift Three Stage Mast (FSV),

Model				8FGU25			8FDU25		
Type of Mast				V	FV	FSV	V	FV	FSV
PERFORMANCE									
Speeds	Lifting	Full Load	fpm (mm/sec)	118 (600)	113 (575)	111 (565)	121 (615)	118 (600)	116 (590)
		No Load	fpm (mm/sec)	126 (640)	118 (600)	118 (600)	129 (655)	126 (640)	124 (630)
	Lowering	Full Load	fpm (mm/sec)	98 (500)	94 (480)	94 (480)	98 (500)	94 (480)	94 (480)
		No Load	fpm (mm/sec)	98 (500)	83 (420)	89 (450)	98 (500)	83 (420)	89 (450)

MAST SPECIFICATIONS & RATED CAPACITIES

Mast Type	Maximum Fork Height (top of forks)	Overall Height				Free Lift		Single Tire				Dual Tire	
		Lowered	Extended		Without Load Backrest	With Standard Load Backrest	Tilt Range		Load Capacity at 500mm Load Center		Tilt Range		Load Capacity at 500mm Load Center
			Without Load Backrest	With Standard Load Backrest			FWD	BWD	Narrow Tread	Wide Tread	FWD	BWD	
		in (mm)	in (mm)	in (mm)	in (mm)	in (mm)	in (mm)	deg	deg	kg	kg	deg	deg
V	80 (2040)	58.9 (1495)	104.7 (2660)	128.3 (3260)	6.1 (155)	6.1 (155)	6	11	2500	2500	6	11	2500
	119.5 (3040)	78.5 (1995)	144.1 (3660)	167.7 (4260)	6.1 (155)	6.1 (155)	6	11	2500	2500	6	11	2500
	131.5 (3340)	84.5 (2145)	155.9 (3960)	179.5 (4560)	6.1 (155)	6.1 (155)	6	11	2500	2500	6	11	2500
	139 (3540)	88.4 (2245)	163.8 (4160)	187.4 (4760)	6.1 (155)	6.1 (155)	6	11	2500	2500	6	11	2500
	147 (3740)	94.7 (2405)	171.7 (4360)	195.3 (4960)	6.1 (155)	6.1 (155)	6	11	2500	2500	6	11	2500
	159 (4040)	102.2 (2595)	183.5 (4660)	207.1 (5260)	6.1 (155)	6.1 (155)	6	11	2500	2500	6	11	2500
FV	119.5 (3040)	78.5 (1995)	143.5 (3645)	167.7 (4260)	55.1 (1400)	30.5 (775)	6	11	2500	2500	6	11	2500
	131.5 (3340)	84.5 (2145)	151.4 (3845)	179.5 (4560)	61 (1550)	36.4 (925)	6	11	2500	2500	6	11	2500
	139 (3540)	88.4 (2245)	163.2 (4145)	187.4 (4760)	65 (1650)	40.4 (1025)	6	11	2500	2500	6	11	2500
FSV	159 (4040)	74.6 (1895)	181.5 (4610)	206.7 (5250)	52.4 (1330)	26.6 (675)	6	6	2500	2500	6	6	2500
	170.5 (4340)	78.5 (1995)	189.4 (4810)	218.5 (5550)	56.3 (1430)	30.5 (775)	6	6	2450	2500	6	6	2500
	189 (4800)	84.5 (2145)	211.4 (5370)	236.6 (6010)	62.2 (1580)	36.4 (915)	6	6	1850 [2000]	2450	6	6	2450
	198 (5040)	88.4 (2245)	220.9 (5610)	246.1 (6250)	66.1 (1680)	40.4 (1015)	6	6	1650	2300	6	6	2400
	218 (5540)	94.7 (2405)	240.6 (6110)	265.7 (6750)	72.4 (1840)	46.7 (1185)	6	6	1300 [1400]	1800	6	6	2050
	237.5 (6040)	102.2 (2595)	260.2 (6610)	285.4 (7250)	79.9 (2030)	54.2 (1375)	6	6	900 [1050]	1150	6	6	1700
	257.5 (6540)	112 (2845)	279.9 (7110)	305.1 (7750)	89.8 (2280)	64 (1625)	---	---	---	---	6	6	1550
	277 (7040)	121.9 (3095)	299.6 (7610)	324.8 (8250)	99.6 (2530)	73.9 (1875)	---	---	---	---	6	6	1200

* Please submit a TSDR for capacity

Note: Height of standard load backrest is 48 in. (1220 mm)

Attachment capacities (including Sideshifters) are located in Section 6.1 - Lifting Capacities For Options.

[] for optional front pneumatic shaped cushion tires.

8FGU25

8FDU25

RATED CAPACITIES FOR NON-ATTACHMENT OPTIONS

Wide Visible Full-Free Lift Two-Stage Mast (FV), Wide Visible Full-Free Lift Three Stage Mast (FSV)

3 DEGREE BACKWARDS TILT OPTION

Mast Type	Maximum Fork Height (top of forks)	Single Tire				Dual Tire
		Tilt Range		Load Capacity at 500mm Load Center		Load Capacity at 500mm Load Center
	in (mm)	FWD deg	BWD deg	Narrow Tread kg	Wide Tread kg	Narrow Tread kg
FSV	159 (4040)	6°	3°	0	0	0
	170.5 (4340)	6°	3°	0	0	0
	189 (4800)	6°	3°	0	0	0
	198 (5040)	6°	3°	0	0	0
	218 (5540)	6°	3°	+50	+50	0
	237.5 (6040)	6°	3°	+50	+50	+50
	257.5 (6540)	6°	3°	N/A	N/A	+50
	277 (7040)	6°	3°	N/A	N/A	+50

*Add the value to rated capacity of STD.

SOLID TIRE OPTION¹

Mast Type	Maximum Fork Height (top of forks)	Single Tire		
		Tilt Range		Load Capacity at 500mm Load Center
	in (mm)	FWD deg	BWD deg	Narrow Tread kg
FSV	189 (4800)	6	6	2000
	198 (5040)	6	6	1650
	218 (5540)	6	6	1400
	237.5 (6040)	6	6	1050

Note 1: The solid tire option capacities are the same as the pneumatic tires except for the masts listed in this chart.

3 DEGREE BACKWARDS TILT OPTION & SOLID TIRE OPTION

Mast Type	Maximum Fork Height (top of forks)	Single Tire				Dual Tire
		Tilt Range		Load Capacity at 500mm Load Center		Load Capacity at 500mm Load Center
	in (mm)	FWD deg	BWD deg	Narrow Tread lb (kg)	Wide Tread lb (kg)	Narrow Tread lb (kg)
FV	TBA	TBA	TBA	TBA	TBA	TBA
	TBA	TBA	TBA	TBA	TBA	TBA
	TBA	TBA	TBA	TBA	TBA	TBA
FSV	TBA	TBA	TBA	TBA	TBA	TBA
	TBA	TBA	TBA	TBA	TBA	TBA
	TBA	TBA	TBA	TBA	TBA	TBA

Note: Height of standard load backrest is 48 in. (1220 mm)

Attachment capacities (including Sideshifter) are located in Section 6.1 - Lifting Capacities For Options.

8FGU30

8FDU30

MAIN VEHICLE SPECIFICATIONS

1	Manufacturer			TOYOTA	TOYOTA
2	Model			8FGU30	8FDU30
3	Load Capacity	kg		3000	3000
4	Load Center	mm		500	500
5	Power Type			Gasoline	Diesel
6	Operator Position			Seated Rider	Seated Rider
7	Tire Type			Pneumatic	Pneumatic
8	Wheels (x = driven)	Front / Rear		2x / 2	2x / 2
9	Maximum Fork Height (MFH) (Top of Forks)	in (mm)		131.5 (3345)	131.5 (3345)
10	Free Lift (Top of Forks)	in (mm)		5.3 (135)	5.3 (135)
13	Fork Size	T x W x L		1.8 x 5 x 42 (45 x 125 x 1070)	1.8 x 5 x 42 (45 x 125 x 1070)
	Fork Spread (Outer Edge to Edge)	Max / Min	in (mm)	42 (1070) / 10 (250)	42 (1070) / 10 (250)
14	Tilt Range	Fwd / Bwd	deg	6° / 11°	6° / 11°
15	Length to Fork Face		in (mm)	109.4 (2780)	109.4 (2780)
16	Overall Width		in (mm)	48.8 (1240)	48.8 (1240)
17	Mast Lowered Height		in (mm)	85.3 (2165)	85.3 (2165)
18	Mast Extended Height (Top of Load Backrest)		in (mm)	179.7 (4565)	179.7 (4565)
19	Overhead Guard Height		in (mm)	85.5 (2170)	85.5 (2170)
21	Turning Radius (Outside)		in (mm)	92.5 (2350)	92.5 (2350)
22	Load Distance (Centerline of Front Axle to Front Face of Forks)		in (mm)	19.1 (485)	19.1 (485)
	Rear Overhang		in (mm)	23 (595)	23 (595)
23	Basic Right Angle Stacking Aisle Width (Add Load Length and Clearance)		in (mm)	111.6 (2835)	111.6 (2835)
24	Travel, Max. (Forward / Reverse)	Full Load	mph (km/h)	11.2 (18.0) / 11.2 (18.0)	11.8 (19.0) / 11.8 (19.0)
		No Load	mph (km/h)	11.5 (18.5) / 11.5 (18.5)	12.1 (19.5) / 12.1 (19.5)
25	Speeds	Full Load	fpm (mm/sec)	100 (510)	98 (500)
		No Load	fpm (mm/sec)	108 (550)	104 (530)
26	Lowering	Full Load	fpm (mm/sec)	98 (500)	98 (500)
		No Load	fpm (mm/sec)	98 (500)	98 (500)
28	Drawbar Pull, Max.	Full Load	lb <N>	4400 <19600>	4400 <19600>
		No Load	lb <N>	2310 <10300>	2340 <10400>
29	Gradeability at 1 mph (1.5 km/h) ¹	Full Load	%	24	25
30	Gradeability, Max. ¹	Full Load	%	26	29
		No Load	%	21	20
32	Total Weight		lb (kg)	9270 (4210)	9360 (4250)
33	Weight Distribution	Full Load	Front / Rear	13290 (6300) / 1980 (910)	13330 (6320) / 2030 (930)
34		No Load	Front / Rear	3430 (1560) / 5840 (2650)	3470 (1580) / 5890 (2670)
35		Number	Front / Rear	2 / 2	2 / 2
36	Tires	Size	Front	28 x 9-15-12PR (I)	28 x 9-15-12PR (I)
37			Rear	6.50-10-10PR (I)	6.50-10-10PR (I)
38	Wheelbase		in (mm)	66.9 (1700)	66.9 (1700)
39	Tread Width	Front	in (mm)	39.8 (1010)	39.8 (1010)
		Rear	in (mm)	38 (965)	38 (965)
40	Underclearance (Full Load)	Min. with Load	in (mm)	4.5 (115)	4.5 (115)
41		Center of Wheelbase	in (mm)	7.3 (185)	7.3 (185)
42	Brake	Service (Foot)		Hydraulic	Hydraulic
43		Parking (Foot)		Mechanical	Mechanical
45	Battery	Voltage / Capacity (5HR)	V / AH	12 / 48	12 / 55
49	Internal Combustion Engine	Make / Model		Toyota / 4Y	Toyota / 1DZ-II
50		Rated Horsepower @ r.p.m.	kW	43 @ 2600	44 @ 2600
51		Rated Torque @ r.p.m.	N-m	162 @ 1800	167 @ 1600
52		Number of Cylinders		4	4
	Piston Displacement	cu in. (cc)		136 (2237)	152 (2486)
	Fuel Tank Capacity	US gal (liter)		15.9 (60)	15.9 (60)
55	Transmission	Type		Powershift	Powershift
		Speeds	Forward / Reverse		1 / 1
57	Aux. Hydraulic Function (For Attachments) ²	Max. Operating Pressure	psi (kg / cm ²)	2275 (160)	2275 (160)
			<Mpa>		<15.7>
		Max. Flow Rate	lpm	65	65

¹ Computed Values. Performance of LPG fuel system may be less than that of standard model shown.

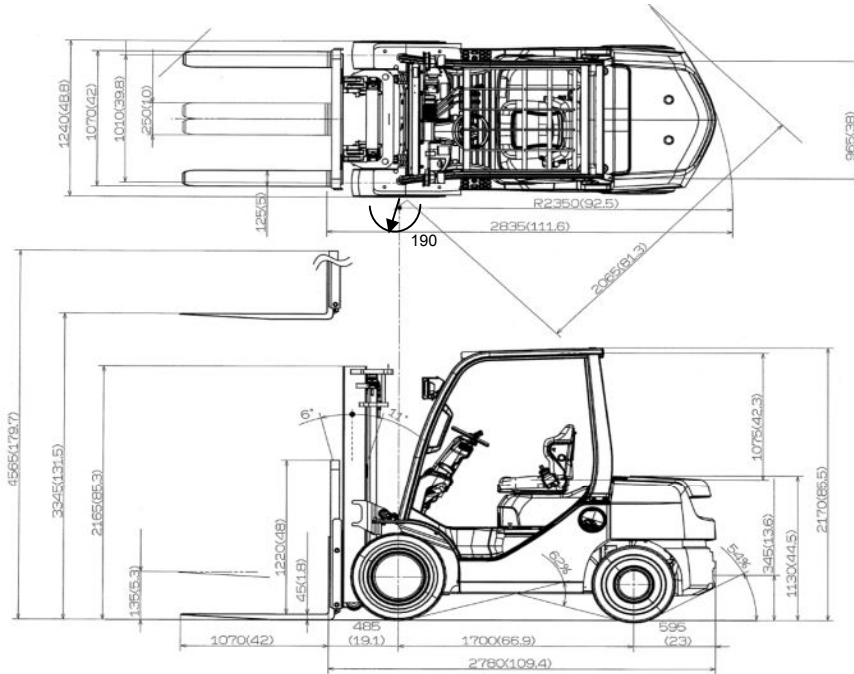
² Values taken at Hydraulic Control Valve. Does not take into consideration losses through mast plumbing (hosing, fittings, QDs, etc.)

8FGU30

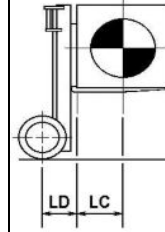
8FDU30

DIMENSIONAL DRAWING

Unit : mm(inch)



RATED CAPACITY



PC = Published Maximum Fork Height (MFH) Capacity @ 24" Load Center (lbs.)
 LC = Desired Load Center (in.)
 LD = Load Distance (in.) (Reference Chart Below)
 W = Capacity at LC (lbs.)

	Load Distance (LD)	
V	19.1	in.
FV	19.1	in.
FSV	19.5	in.

$$W^* = PC \times \left(\frac{LD + 24}{LD + LC} \right)$$

*Should W calculate to a value greater than 6,000 lbs., then maximum capacity at the desired load center is no greater than 6,000 lbs. This calculation has been provided for estimation purposes ONLY. For official rated capacity values, please submit capacity requests through the Capacity Quote/Nameplate Request System. (All capacities based on standard forks)

* Contact Factory for Tilt Limit Specifications

VARIABLE DIMENSIONS

Unit : inch (mm)

	V & FV	FSV
Load Distance	19.1 (485)	19.5 (495)
Length to Fork Face	109.4 (2780)	109.8 (2790)
Basic Right Angle Stacking	111.6 (2835)	---
Intersecting Aisle Width	81.3 (2065)	---

I.T.A. CARRIAGE CLASS III

UNDERCLEARANCE

Unit : inch (mm)

Mast	Full Load	4.5 (115)
Drive Axle	Full Load	5.1 (130)
Steer Axle	No Load	7.1 (180)
Center of Wheelbase	Full Load	7.3 (185)
Counterweight	No Load	6.9 (175)

WHEEL & TIRE CONFIGURATIONS

Unit : inch (mm)

	Drive Wheel & Tire			Steer Wheel & Tire	
	V, FV Mast All Heights FSV up to 6000mm			FSV Mast 6500mm and higher	V, FV, FSV Mast All Heights
	Single Narrow	Single Wide Tread (G00A)	Dual Drive Tires (F00C)	Dual Drive Tires (F00C)	Standard Rear Tires
Standard / Option	Standard	Option	Option	Standard	Standard
Overall Width	48.8 (1240)	52.8 (1340)	65.4 (1660)	65.4 (1660)	---
Tread Width	39.8 (1010)	43.7 (1110)	48.7 (1238)	48.7 (1238)	38.0 (965)

- NOTE:
1. There are no differences in dimension between air pneumatic tires and solid tires.
 2. For specifications of tires, please refer to the "Tire Availability".
 3. For DUAL DRIVE SOLID TIRES, order F02B & F00C.

8FGU30

8FDU30

OPTIONAL MASTS SPECIFICATIONS AND VARIABLE DIMENSIONS

Wide Visible Mast (V), Wide Visible Full-Free Lift Two-Stage Mast (FV), Wide Visible Full-Free Lift Three Stage Mast (FSV)

Model				8FGU30			8FDU30		
Type of Mast				V	FV	FSV	V	FV	FSV
PERFORMANCE									
Speeds	Lifting	Full Load	fpm (mm/sec)	100 (510)	91 (460)	94 (480)	98 (500)	88 (445)	93 (470)
		No Load	fpm (mm/sec)	108 (550)	96 (490)	102 (520)	104 (530)	94 (480)	98 (500)
	Lowering	Full Load	fpm (mm/sec)	98 (500)	91 (460)	91 (460)	98 (500)	91 (460)	91 (460)
		No Load	fpm (mm/sec)	98 (500)	77 (390)	83 (420)	98 (500)	77 (390)	83 (420)

MAST SPECIFICATIONS & RATED CAPACITIES

Mast Type	Maximum Fork Height (top of forks) in (mm)	Overall Height				Free Lift		Single Tire				Dual Tire	
		Lowered in (mm)	Extended		Without Load Backrest in (mm)	With Standard Load Backrest in (mm)	Tilt Range		Load Capacity at 500mm Load Center		Tilt Range		Load Capacity at 500mm Load Center kg
			Without Load Backrest in (mm)	With Standard Load Backrest in (mm)			FWD	BWD	Narrow Tread	Wide Tread	FWD	BWD	
		deg	deg	kg	kg	deg	deg	kg					
V	80.5 (2045)	59.6 (1515)	108.3 (2750)	128.5 (3265)	5.3 (135)	5.3 (135)	6	11	3000	3000	6	11	3000
	119.5 (3045)	79.3 (2015)	147.6 (3750)	167.9 (4265)	5.3 (135)	5.3 (135)	6	11	3000	3000	6	11	3000
	131.5 (3345)	85 (2165)	159.4 (4050)	179.7 (4565)	5.3 (135)	5.3 (135)	6	11	3000	3000	6	11	3000
	139.5 (3545)	89.2 (2265)	167.3 (4250)	187.6 (4765)	5.3 (135)	5.3 (135)	6	11	3000	3000	6	11	3000
	147 (3745)	95.5 (2425)	175.2 (4450)	195.5 (4965)	5.3 (135)	5.3 (135)	6	11	3000	3000	6	11	3000
	159 (4045)	103 (2615)	187 (4750)	207.3 (5265)	5.3 (135)	5.3 (135)	6	11	3000	3000	6	11	3000
FV	119.5 (3045)	79.3 (2015)	144.1 (3660)	167.9 (4265)	55.1 (1400)	31.3 (795)	6	11	3000	3000	6	11	3000
	131.5 (3345)	85.0 (2165)	155.9 (3960)	179.7 (4565)	61 (1550)	37.2 (945)	6	11	3000	3000	6	11	3000
	139.5 (3545)	89.2 (2265)	163.8 (4160)	187.6 (4765)	65 (1650)	41.2 (1045)	6	11	3000	3000	6	11	3000
FSV	159 (4045)	79.3 (2015)	183.5 (4660)	207.3 (5265)	55.1 (1400)	31.3 (795)	6	6	3000	3000	6	6	3000
	171 (4345)	85.2 (2165)	195.3 (4960)	219.1 (5565)	61 (1550)	37.2 (945)	6	6	3000	3000	6	6	3000
	187 (4750)	89.2 (2265)	211.0 (5360)	235 (5970)	65 (1650)	41.2 (1045)	6	6	3000	3000	6	6	3000
	198.5 (5045)	95.5 (2425)	222.8 (5660)	246.7 (6265)	71.3 (1810)	47.5 (1205)	6	6	2600 [2750]	2900	6	6	2900
	218 (5545)	103 (2615)	242.5 (6160)	266.3 (6765)	78.7 (2000)	55 (1395)	6	6	1900 [2050]	2400	6	6	2650
	237.5 (6045)	112.8 (2865)	262.2 (6660)	286 (7265)	88.6 (2250)	64.8 (1645)	6	6	1400 [1500]	1600	6	6	2050
	257.5 (6545)	122.6 (3115)	281.9 (7160)	305.7 (7765)	98.4 (2500)	74.6 (1895)	---	---	---	---	6	6	1600
	277 (7045)	132.5 (3365)	301.6 (7660)	325.4 (8265)	108.3 (2750)	84.5 (2145)	---	---	---	---	6	6	1200

* Please submit a TSDR for capacity

Note: Height of standard load backrest is 48 in. (1220 mm)

Attachment capacities (including Sideshifters) are located in Section 6.1 - Lifting Capacities For Options.

[] for optional front pneumatic shaped cushion tires.

8FGU30

8FDU30

RATED CAPACITIES FOR NON-ATTACHMENT OPTIONS

Wide Visible Full-Free Lift Two-Stage Mast (FV), Wide Visible Full-Free Lift Three Stage Mast (CSV)

3 DEGREE BACKWARDS TILT OPTION

Mast Type	Maximum Fork Height (top of forks) in (mm)	Single Tire				Dual Tire
		Tilt Range		Load Capacity at 500mm Load Center		Load Capacity at 500mm Load Center
		FWD	BWD	Narrow Tread	Wide Tread	Narrow Tread
	deg	deg	kg	kg	kg	
FSV	159 (4045)	6°	3°	0	0	0
	171 (4345)	6°	3°	0	0	0
	187 (4750)	6°	3°	0	0	0
	198.5 (5045)	6°	3°	+50	0	0
	218 (5545)	6°	3°	+50	+50	+50
	237.5 (6045)	6°	3°	+100	+100	+50
	257.5 (6545)	6°	3°	N/A	N/A	+50
	277 (7045)	6°	3°	N/A	N/A	+50

*Add the value to rated capacity of STD.

SOLID TIRE OPTION¹

Mast Type	Maximum Fork Height (top of forks) in (mm)	Single Tire		
		Tilt Range		Load Capacity at 500mm Load Center
		FWD	BWD	Narrow Tread
	deg	deg	kg	
FSV	198 (5045)	6	6	2750
	218 (5545)	6	6	2050
	237.5 (6045)	6	6	1500

Note 1: The solid tire option capacities are the same as the pneumatic tires except for the masts listed in this chart.

3 DEGREE BACKWARDS TILT OPTION & SOLID TIRE OPTION

Mast Type	Maximum Fork Height (top of forks) in (mm)	Single Tire				Dual Tire
		Tilt Range		Load Capacity at 24 in. (600mm) Load Center		Load Capacity at 24 in. (600mm) Load Center
		FWD	BWD	Narrow Tread	Wide Tread	Narrow Tread
	deg	deg	lb (kg)	lb (kg)	lb (kg)	
FV	TBA	TBA	TBA	TBA	TBA	TBA
	TBA	TBA	TBA	TBA	TBA	TBA
	TBA	TBA	TBA	TBA	TBA	TBA
FSV	TBA	TBA	TBA	TBA	TBA	TBA
	TBA	TBA	TBA	TBA	TBA	TBA
	TBA	TBA	TBA	TBA	TBA	TBA

Note: Height of standard load backrest is 48 in. (1220 mm)

Attachment capacities (including Sideshifter) are located in Section 6.1 - Lifting Capacities For Options.

8FGU15.18.20.25.30

8FDU15.18.20.25.30

OPTIONS AVAILABILITY CHART

○ Option Available
● Option Not Available

Option Item	Option Code	8FGU15	8FDU15	8FGU18	8FDU18	8FGU20	8FDU20	8FGU25	8FDU25	8FGU30	8FDU30	
MASTS												
Wide Visible Mast (V)	★	M00BXX	○	○	○	○	○	○	○	○	○	
Full-Free Lift Two-Stage Mast (FV)	★	M00FXX	○	○	○	○	○	○	○	○	○	
Full-Free Lift Three-Stage Mast (FSV)	★	M00DXX	○	○	○	○	○	○	○	○	○	
LOAD HANDLING												
Dual Quick Disconnects	★	1	Q47D	○	○	○	○	○	○	○	○	
Fork Bar (Carriage)	★		M30AXX	○	○	○	○	○	○	○	○	
Fully Charged Outer Lift Cylinders	★	2	M09A	○	○	○	○	○	○	○	○	
Fully Tapered and Polished Forks	★	3	M20GXX	○	○	○	○	○	○	○	○	
High Load Back Rest	★		M40AXX	○	○	○	○	○	○	○	○	
Hydraulic Accumulator	★		M82A	○	○	○	○	○	○	○	○	
Less Forks	★	3	M20N	○	○	○	○	○	○	○	○	
Less Mast and Forks	★	3,4	M02B	○	○	○	○	○	○	○	○	
Mast 3 Degree Back Tilt	★		N11I	○	○	○	○	○	○	○	○	
Mast Tilt [Bottler's Tilt (Fwd 10° / Bwd 6°)]	★	5	N11H	○	○	○	○	○	○	○	○	
Side Hosing Termination	★	6	Q49D	○	○	○	○	○	○	○	○	
Single Quick Disconnects	★	7	Q47C	○	○	○	○	○	○	○	○	
Tapered Forks	★	3	M20BXX	○	○	○	○	○	○	○	○	
Tilt Cylinder Hole Seal			K35A	○	○	○	○	○	○	○	○	
Without Load Back Rest			M40N	○	○	○	○	○	○	○	○	
LOAD HANDLING (HOSE & VALVE ASSEMBLY)												
3 Way Valve (With 3rd Function Hosing)	★	8	A410	○	○	○	○	○	○	○	○	
4 Way Valve (No 3rd & 4th Function Hosing)	★	8	A405	○	○	○	○	○	○	○	○	
4 Way Valve (With 3rd Function Hosing)	★	8	A430	○	○	○	○	○	○	○	○	
4 Way Valve (With 3rd & 4th Function Hosing)	★		A450	○	○	○	○	○	○	○	○	
LOAD HANDLING (ATTACHMENT, HOSE & VALVE ASSEMBLY)												
Toyota Integral SS - 3Way Valve, 3rd Function Hosing	★		E62	○	○	○	○	○	○	○	○	
Toyota Integral SS - 4Way Valve, 3rd Function Hosing	★		E62A	○	○	○	○	○	○	○	○	
Toyota Integral SS - 4Way Valve, 3rd & 4th Function Hosing	★		E62B	○	○	○	○	○	○	○	○	
Cascade Integral SS - 3Way Valve, 3rd Function Hosing	★		E811	○	○	○	○	○	○	○	○	
Cascade Integral SS - 4Way Valve, 3rd Function Hosing	★		E811A	○	○	○	○	○	○	○	○	
Cascade Integral SS - 4Way Valve, 3rd & 4th Function Hosing	★		E811B	○	○	○	○	○	○	○	○	
Cascade SS - 3Way Valve, 3rd Function Hosing	★		E911	○	○	○	○	○	○	○	○	
Cascade SS - 4Way Valve, 3rd Function Hosing	★		E911A	○	○	○	○	○	○	○	○	
Cascade SS - 4Way Valve, 3rd & 4th Function Hosing	★		E911B	○	○	○	○	○	○	○	○	
RightLine SS - 3Way Valve, 3rd Function Hosing	★		E921	○	○	○	○	○	○	○	○	
RightLine SS - 4Way Valve, 3rd Function Hosing	★		E921A	○	○	○	○	○	○	○	○	
RightLine SS - 4Way Valve, 3rd & 4th Function Hosing	★		E921B	○	○	○	○	○	○	○	○	

- Requires A450 or E911B or E921B. Requires Q49D
 - Does not apply to center mounted freelif cylinder
 - Dimensions are in inches
 - Option includes Tilt Cylinders for FSV Mast.
 - Tilt Cylinder Boots are removed
 - Requires A450
 - Requires A450, E911B, or E921B
 - Only ONE A4XX code allowed on each Truck.
- ★ Please see the "Matching Options"

8FGU15.18.20.25.30

8FDU15.18.20.25.30

OPTIONS AVAILABILITY CHART

○ Option Available
● Option Not Available

Option Item	Option Code	8FGU15	8FDU15	8FGU18	8FDU18	8FGU20	8FDU20	8FGU25	8FDU25	8FGU30	8FDU30
POWERTRAIN											
Cyclone Air Cleaner (Duel Element)	C15B	○	○	○	○	○	○	○	○	○	○
Engine For Export	1 C31B	○	○	○	○	○	○	○	○	○	○
Engine Oil Quick Drain Valve	D33A	○	○	○	○	○	○	○	○	○	○
Keyless Ignition Switch	D29A	○	○	○	○	○	○	○	○	○	○
LPG Bracket (Swing Down Type) ★	2 C03F	○	●	○	●	○	●	○	●	○	●
LPG Fuel System Convertible Type (Z3) ★	C00B	○	●	○	●	○	●	○	●	○	●
Pre-cleaner	C16A	○	○	○	○	○	○	○	○	○	○
Radiator (Plate Fin)	C27A	●	●	●	●	○	○	○	○	○	○
Spark Guard Net	C12A	○	○	○	○	○	○	○	○	○	○
Transmission Protection Plate (Skid Plate)	K33A	○	○	○	○	○	○	○	○	○	○
Upswept Exhaust ★	3 C10A	●	●	●	●	○	○	○	○	○	○
W/O LPG Cylinder Bracket	C03N	○	●	○	●	○	●	○	●	○	●
BODY											
Anti-Static Strap ★	K64A	○	○	○	○	○	○	○	○	○	○
Document Box ★	S04A	○	○	○	○	○	○	○	○	○	○
Engine Hood Ventilator ★	G20B	○	○	○	○	○	○	○	○	○	○
High Capacity Cooling Package ★	A26A	●	●	●	●	○	○	○	○	○	○
Assist Grip RH	G04B	○	○	○	○	○	○	○	○	○	○
Tool, Standard Set (A Set)	S00B	○	○	○	○	○	○	○	○	○	○
Pencil / Tape Holder (Mounted on OHG Leg) ★	S03A	○	○	○	○	○	○	○	○	○	○
Radiator Screen	K19A	○	○	○	○	○	○	○	○	○	○
Rear View Mirrors (Left & Right Sides) ★	J10B	○	○	○	○	○	○	○	○	○	○
Rust Proof Spec ★	4 B30H	○	○	○	○	○	○	○	○	○	○
Special Paint (ONE Color Only)	5 R00A	○	○	○	○	○	○	○	○	○	○
Special Paint (Two Color Only)	5 R00B	○	○	○	○	○	○	○	○	○	○
Tool Box ★	G38A	○	○	○	○	○	○	○	○	○	○
STEERING AND OPERATION											
Steering Wheel With Knob ★	1 E41A	○	○	○	○	○	○	○	○	○	○
Synchronized Steering ★	1 E72A	○	○	○	○	○	○	○	○	○	○
SEATS AND SEATBELTS											
4-Way Adjustable Cloth Full-Suspension Seat	G40C	○	○	○	○	○	○	○	○	○	○
17.5 Degree Vinyl Swivel Seat (with standard seat)	G41F	○	○	○	○	○	○	○	○	○	○
17.5 Degree Cloth Swivel Seat (with G40C seat)	G41G	○	○	○	○	○	○	○	○	○	○
Orange Seat Belt	G43C	○	○	○	○	○	○	○	○	○	○
ORS w/suspension ★	G40I	○	○	○	○	○	○	○	○	○	○

1. Must specify
 3. Requires C00B
 4. Tilt Cylinder Boots (K11A) are removed
 5. Requires paint code and map. Mast and Fork not included
- ★ Please see the "Matching Options"

8FGU15.18.20.25.30

8FDU15.18.20.25.30

OPTIONS AVAILABILITY CHART

○ Option Available
● Option Not Available

Option Item	Option Code	8FGU15	8FDU15	8FGU18	8FDU18	8FGU20	8FDU20	8FGU25	8FDU25	8FGU30	8FDU30	
LIGHTS												
Front Combination Lights	1	J20B	○	○	○	○	○	○	○	○	○	
Rear Combination Lights	★ 2	J21A	○	○	○	○	○	○	○	○	○	
LED Rear Combination Lights	★ 2	J21D	○	○	○	○	○	○	○	○	○	
Rear Working light	★	J26A	○	○	○	○	○	○	○	○	○	
Strobe Light (Blue)	★	J19M	○	○	○	○	○	○	○	○	○	
Strobe Light (Red)	★	J19L	○	○	○	○	○	○	○	○	○	
Strobe Light (Yellow)	★	J19G	○	○	○	○	○	○	○	○	○	
INDICATORS AND MISCELLANEOUS												
Adj Volume Back-up Alarm (Smart Alarm)		K21I	○	○	○	○	○	○	○	○	○	
Auto Fork Decal		S33A	○	○	○	○	○	○	○	○	○	
Back-up Alarm		K21D	○	○	○	○	○	○	○	○	○	
High Volume Back-up Alarm		K21F	○	○	○	○	○	○	○	○	○	
Key Off Head Light Off System		J24G	○	○	○	○	○	○	○	○	○	
MM-KG. Indicator	3	A95B	○	○	○	○	○	○	○	○	○	
Name Plate (Spanish)		S31B	○	○	○	○	○	○	○	○	○	
Name Plate (Portuguese)		S31K	○	○	○	○	○	○	○	○	○	
OPS Decal		S35A	○	○	○	○	○	○	○	○	○	
Rear Pillar Assist Grip with Horn Button		L37A	○	○	○	○	○	○	○	○	○	
SAS Decal		S28A	○	○	○	○	○	○	○	○	○	
Toyota Symbol Mark	3	S02A	○	○	○	○	○	○	○	○	○	
CHASSIS												
Dual Drive Tires	★	F00C	●	●	●	●	○	○	○	○	○	
Front Solid Tires		F02B	○	○	○	○	○	○	○	○	○	
Rear Solid Tires	4	F42B	○	○	○	○	○	○	○	○	○	
Side Ring Rear Wheel		F60A	○	○	○	○	○	○	○	○	○	
Wide Tread	★	G00A	○	○	○	○	○	○	○	○	○	
Standard Tread	★	G00F	●	●	●	●	○	○	○	○	●	
SPECIAL MODEL												
Export Spec.	3	A01A	○	○	○	○	○	○	○	○	○	
Without UL Label	3	T41N	○	○	○	○	○	○	○	○	○	

1. Front combination lights: Turn signal, clearance, and parking lights.
 2. Rear combination lights: Turn signal, brake, parking, back-up lights and red reflectors.
 3. Must specify
 4. Includes F60A
- ★ Please see the "Matching Options"

8FGU15.18.20.25.30

8FDU15.18.20.25.30

OPTION INFORMATION

MAST WEIGHTS

Model	8FG(D)U15.18		8FG(D)U20.25		8FG(D)U30	
	Maximum Fork Height (Top Of Forks)	Mast Weight	Maximum Fork Height (Top Of Forks)	Mast Weight	Maximum Fork Height (Top Of Forks)	Mast Weight
Mast Type	in (mm)	lbs (kg)	in (mm)	lbs (kg)	in (mm)	lbs (kg)
V	80 (2035)	710 (320)	80 (2040)	900 (410)	80.5 (2045)	1030 (470)
	119 (3035)	810 (370)	119.5 (3040)	1070 (490)	119.5 (3045)	1210 (550)
	131 (3335)	870 (400)	131.5 (3340)	1120 (510)	131.5 (3345)	1280 (580)
	139 (3535)	900 (410)	139 (3540)	1150 (520)	139.5 (3545)	1310 (600)
	147 (3735)	950 (430)	147 (3740)	1200 (550)	147 (3745)	1370 (620)
FV	158.5 (4035)	1050 (480)	159 (4040)	1320 (600)	159 (4045)	1500 (680)
	119 (3035)	880 (400)	119.5 (3040)	1100 (500)	119.5 (3045)	1230 (560)
	131 (3335)	930 (420)	131.5 (3340)	1150 (520)	131.5 (3345)	1290 (580)
FSV	139 (3535)	960 (430)	139 (3540)	1190 (540)	139.5 (3545)	1320 (600)
	158.5 (4035)	1150 (520)	159 (4040)	1480 (670)	159 (4045)	1690 (770)
	170.5 (4335)	1190 (540)	170.5 (4340)	1530 (690)	171 (4345)	1770 (810)
	189 (4800)	1260 (570)	189 (4800)	1600 (730)	187 (4750)	1820 (830)
	198 (5035)	1300 (590)	198 (5040)	1650 (750)	198.5 (5045)	1910 (870)
	217.5 (5535)	1390 (630)	218 (5540)	1740 (790)	218 (5545)	2120 (960)
	237.5 (6035)	1550 (700)	237.5 (6040)	1910 (870)	237.5 (6045)	2250 (1020)
	---	---	257.5 (6540)	2040 (920)	257.5 (6545)	2380 (1080)
---	---	277 (7040)	2160 (980)	277 (7045)	2510 (1140)	

CAUTION: The figures are without load backrest and forks.
 The figures presented in this chart have been rounded off to the nearest number.
 Use caution when applying them to specific products.

8FGU15.18.20.25.30

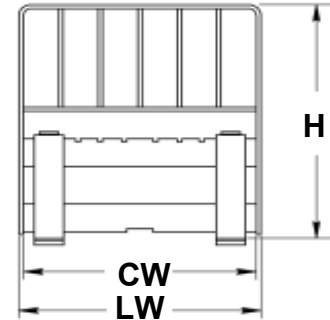
8FDU15.18.20.25.30

OPTION INFORMATION

○ Option Available
● Option Not Available

WIDE CARRIAGE AND HIGH LOAD BACKREST

Model	H	LW	Unit: in (mm)				
			CW	38 (980)	42 (1080)	44 (1130)	54 (1380)
8FG(D)U15.18	36 (920)	○	○	●	●	○	○
	42 (1070)	○	○	●	●	○	○
	48 (1220)	Standard	○	●	●	○	○
	60 (1520)	○	○	●	●	●	●
	66 (1670)	○	○	●	●	●	●
8FG(D)U20.25	36 (920)	●	○	○	○	○	○
	42 (1070)	●	○	○	○	○	○
	48 (1220)	●	Standard	○	○	○	○
	60 (1520)	●	○	○	○	○	○
	66 (1670)	●	○	○	○	○	○
8FG(D)U30	36 (920)	●	●	○	○	○	○
	42 (1070)	●	●	○	○	○	○
	48 (1220)	●	●	Standard	○	○	○
	60 (1520)	●	●	○	○	○	○
	66 (1670)	●	●	○	○	○	○



H: Load backrest height
CW: Carriage Width
LW: Load backrest outer width

STANDARD TAPER & FULLY TAPERED & POLISHED FORKS (FTP)

Model	Length	Width	Thickness	Standard Taper Forks	Fully Tapered & Polished Forks (FTP)
	in (mm)	in (mm)	in (mm)		
8FG(D)U15.18	36 (920)	4 (100)	1.4 (35)	○	●
	42 (1070)	4 (100)	1.4 (35)	Standard	○
	48 (1220)	4 (100)	1.4 (35)	○	○
8FG(D)U20.25	36 (920)	5 (125)	1.6 (40)	○	●
	42 (1070)	5 (125)	1.6 (40)	Standard	○
	48 (1220)	5 (125)	1.6 (40)	○	○
	54 (1370)	5 (125)	1.6 (40)	○	●
	60 (1520)	5 (125)	1.6 (40)	○	●
8FG(D)U30	42 (1070)	5 (125)	1.8 (45)	Standard	○
	48 (1220)	5 (125)	1.8 (45)	○	○
	54 (1370)	5 (125)	1.8 (45)	○	●
	60 (1520)	5 (125)	1.8 (45)	○	●

CAUTION: The weights in this chart have been rounded to the nearest number.

COUNTERWEIGHT WEIGHTS

Model	lb (kg)
8FG(D)U15	1700 (770)
8FG(D)U18	1995 (905)
8FG(D)U20	2580 (1170)
8FG(D)U25	3330 (1510)
8FG(D)U30	4100 (1860)

8FGU15.18.20.25.30

8FDU15.18.20.25.30

OPTION INFORMATION

○ Option Available
● Option Not Available

TIRE AVAILABILITY

Model	Tires	Tire Type	Tire Arrangement	Tire Size	Rim Type	Rim Size	Availability	
8FG(D)U15.18	Front	Air Pneumatic	Single (Narrow)	6.50-10-10PR	Side Ring	5.00F x 10TB	STD	
			Single (Wide)				○	
		Solid Pneumatic	Single (Narrow)	6.50-10			○	
			Single (Wide)				○	
	Rear	Air Pneumatic	Single	5.00-8-8PR	Divided	3.00D x 8TB	STD	
			Single		○			
		Solid Pneumatic	Single	5.00-8	Side Ring		○	
			○					
8FG(D)U20.25	Front	Air Pneumatic	Single (Narrow)	7.00-12-12PR	Side Ring	5.00S x 12TB	STD	
			Single (Wide)				○	
			Dual				(FSV 4800 - 6000 : STD)	
		Solid Pneumatic	Single (Narrow)	7.00-12			○	
			Single (Wide)				(FSV 6500 - 7000 : STD)	
			Dual				○	
	Rear	Air Pneumatic	Single	6.00-9-10PR	Divided	4.00E x 9TB	STD	
			Single		○			
		Solid Pneumatic	Single	6.00-9	Side Ring		○	
			○					
8FG(D)U30	Front	Air Pneumatic	Single (Narrow)	28x9-15-12PR	Side Ring	7.00T x 15IR	STD	
			Single (Wide)				○	
			Dual				29x8-15-12PR	6.00S x 15IR
		Solid Pneumatic	Single (Narrow)	28x9-15			7.00T x 15IR	○
			Single (Wide)				○	
			Dual				7.00-15	6.00S x 15IR
	Rear	Air Pneumatic	Single	6.50-10-10PR	Divided	5.00F x 10TB	STD	
			Single		Side Ring		○	
		Solid Pneumatic	Single	6.50-10	Side Ring		○	
			○					