

Order picking truck 1.2 ton



BT optio

L-series

OSE120

OSE120P



TOYOTA

MATERIAL HANDLING

Order picking truck

Truck specifications					OSE120	OSE120P
Identification	1.1	Manufacturer			Toyota	Toyota
	1.2	Model			OSE120	OSE120P
	1.3	Drive			Electric	Electric
	1.4	Operator type			Stand on	Stand on
	1.5	Load capacity/rated load	Q	kg	1200	1200
	1.6	Load centre	c	mm	1200	1200
	1.8	Load distance, back of fork to bogie wheel centre, short/long support arms	x	mm	858/973	858/973
	1.9	Wheelbase				
		short support arms, short/long chassis	y	mm	2042/2128	2042/2128
long support arms, short/long chassis	y	mm	2157/2243	2157/2243		
Weight	2.1	Service weight without battery, short/long chassis		kg	1184/1263	1184/1263
	2.2	Axle load, with load, drive/castor/fork wheels				
		short chassis		kg	798/302/913	798/302/913
	long chassis		kg	725/110/1138	725/110/1138	
	2.3	Axle load, without load, drive/castor/fork wheels				
short chassis		kg	545/407/246	545/407/246		
long chassis		kg	562/395/300	562/395/300		
Wheels	3.1	Drive / castor / fork wheels			Vulkollan	Vulkollan
	3.2	Wheel size, front		mm	Ø 250 x 75	Ø 250 x 75
	3.3	Wheel size, rear		mm	Ø 85 x 74	Ø 85 x 74
	3.4	Additional wheels, dimensions		mm	Ø 150 x 78	Ø 150 x 78
	3.5	Wheels, number front / rear (x =driven wheels)			1x+ 1/4	1x+ 1/4
Dimensions	4.2.1	Overall height	h_{15}	mm	1370	1370
	4.4	Lift	h_3	mm	715	715
		Lift height	h_{23}	mm	800	800
	4.8	Stand height, min./max.	h_7	mm	138	138/980
	4.15	Height, fork lowered	h_{13}	mm	85	85
	4.19	Overall length, short/long chassis	l_1	mm	2556/2642	2556/2642
	4.20	Length to face of forks, short/long chassis	l_2	mm	1406/1492	1406/1492
	4.21	Overall width	b_1	mm	790	790
	4.22	Fork dimensions	s/e/l	mm	70/180/1150	70/180/1150
	4.25	Width over forks	b_5	mm	520-570	520-570
	4.31	Ground clearance	m_1	mm	23	23
	4.34	Aisle width for pallets 800 x 1200 lengthways	A_{st}	mm	2813	2813
	4.35	Turning radius				
short support arms, short/long chassis		W_a	mm	2271/2357	2271/2357	
long support arms, short/long chassis	W_a	mm	2386/2472	2386/2472		
4.44	Clear width driver compartment entrance	l_{24}	mm	450	450	
Performance data	5.1	Travel speed, with/without load		km/h	8/12	8/12
	5.2	Lift speed, with/without load		m/s	0,13/0,15	0,13/0,15
	5.3	Lowering speed, with/without load		m/s	0,22/0,18	0,22/0,18
	5.8	Max. gradeability, with/without load ¹⁾		%	5/5	5/5
	5.10	Service brake			Electromagnetic	Electromagnetic
Electric motor	6.1	Drive motor rating S2 60 min		kW	2,8	2,8
	6.2	Lift motor rating S3 7%		kW	2,0	2,0
	6.4	Battery voltage, nominal capacity K_s		V/Ah	24/620	24/620
	6.5	Battery weight, min./max.		kg	239-501	239-501
	6.6	Energy consumption acc to VDI cycle ²⁾		kWh/h		
	Other	8.1	Type of drive control			BT Powerdrive
8.4		Sound level at the driver's ear according to EN 12 053		dB(A)	60	60

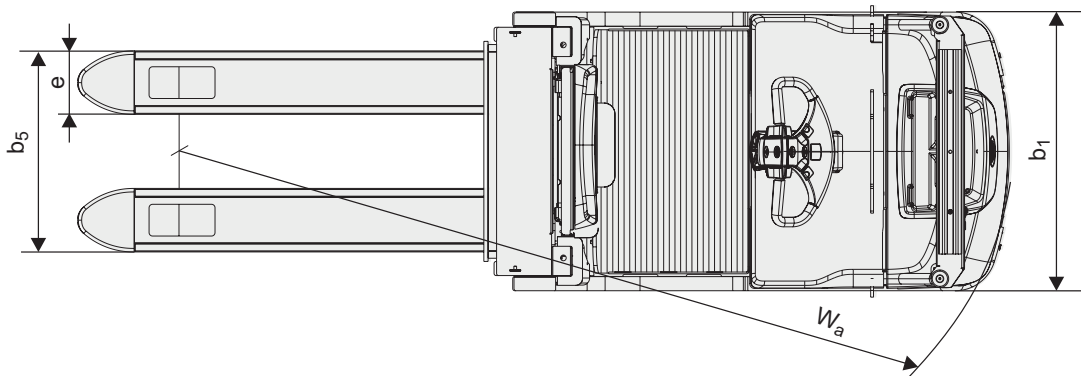
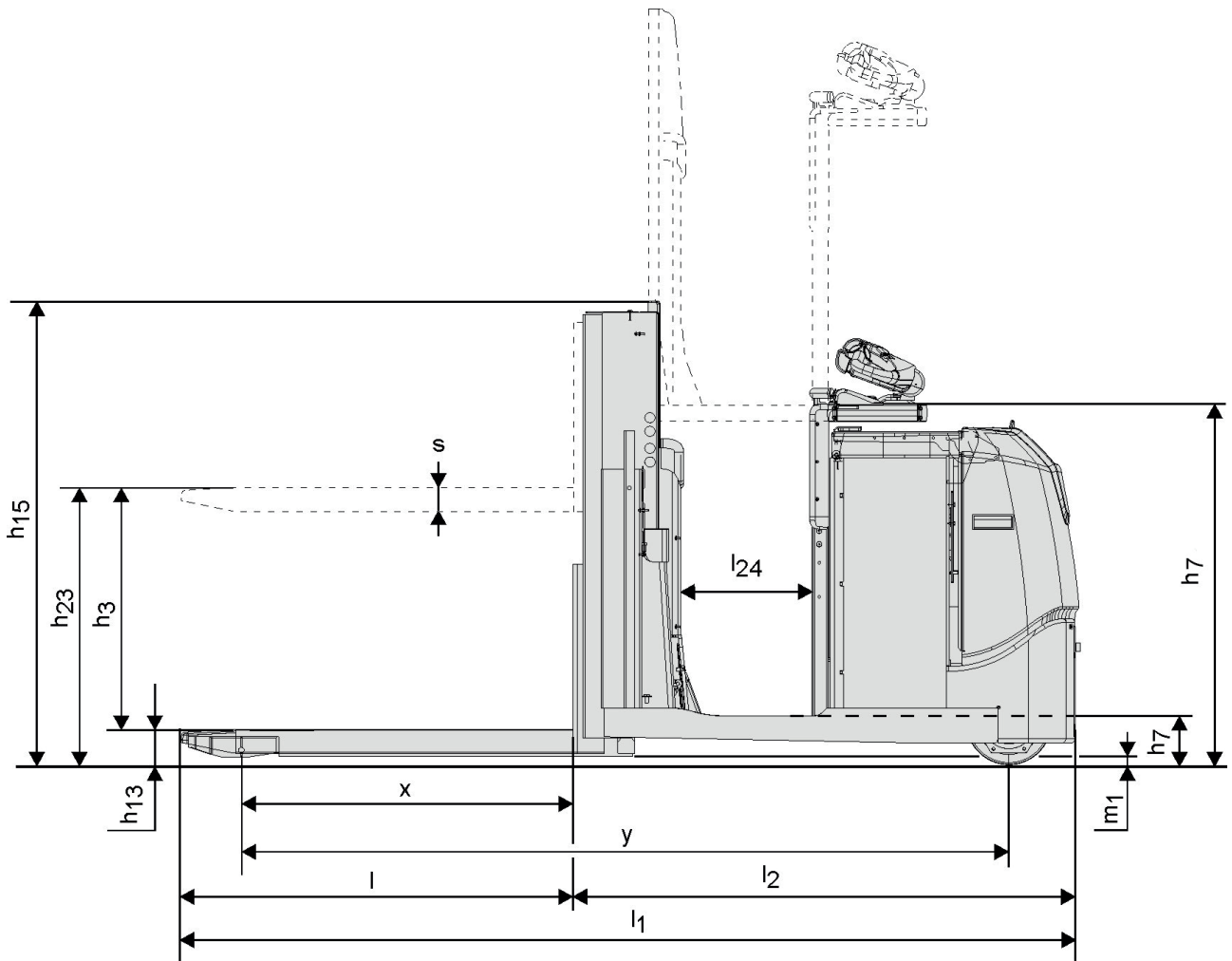
1) Measured according to company standard.

2) Contact your supplier for information.

All data are based on table configuration. Other configurations may give other values.

Truck performance and dimensions are nominal and subject to tolerances.

Toyota Material Handling Manufacturing Sweden AB products and specifications are subject to change without notice.



Truck features:

- High performance models
- High capacity, high lifting forks
- BT E-man steering concept
- Low step-in
- BT Powerdrive system
- Sensi-platform lift
 - including elevating controls (P-model)
- Integrated shrink film holder
- Streamlined administration
 - E-bar concept (option)
- Frequency adapted suspension (option)

Order picking truck 2.5 ton

BT optio

L-series

OSE250/P

t-mote remote drive



Order picking truck

Truck specifications					OSE250 t-mote	OSE250P t-mote
Identification	1.1	Manufacturer			Toyota	Toyota
	1.2	Model			OSE250 t-mote	OSE250P t-mote
	1.3	Drive			Electric	Electric
	1.4	Operator type			Stand on	Stand on
	1.5	Load capacity/rated load	Q	kg	2500	2500
	1.6	Load centre	c	mm	1200	1200
	1.8	Load distance, back of fork to bogie wheel centre, raised/lowered support arms	x	mm	1776/1866	1776/1866
	1.9	Wheelbase, raised/lowered support arms	y	mm	2884/2970	2884/2970
	Weight	2.1	Service weight without battery, short/long chassis		kg	1201/1225
2.2		Axle load, with load, drive/castor/fork wheels short chassis long chassis		kg	780/836/943	780/836/943
				kg	894/800/2243	894/800/2243
2.3		Axle load, without load, drive/castor/fork wheels short chassis long chassis		kg	480/270/250	480/270/250
				kg	500/300/270	500/300/270
Wheels		3.1	Drive/castor/fork wheels			Vulkollan
	3.2	Wheel size, front	Ø x width	mm	250x105	250x105
	3.3	Wheel size, rear	Ø x width	mm	85x75	85x75
	3.4	Additional wheels (dimensions)	Ø x width	mm	150x75	150x75
	3.5	Wheels, number front/rear (x = driven wheels)		mm	1x+1/4	1x+1/4
Dimensions	4.2.1	Overall height	h_{15}	mm	1300	1300/2260
	4.4	Lift	h_3	mm	150	150
		Lift height	h_{23}	mm	235	235
	4.8	Stand height, min./max.	h_7	mm	138	138 / 980
	4.15	Height, fork lowered	h_{13}	mm	85	85
	4.19	Overall length, short/long chassis	l_1	mm	3764/3850	3764/3850
	4.20	Length to face of forks, short/long chassis	l_2	mm	1414/1500	1414/1500
	4.21	Overall width	b_1	mm	790	790
	4.22	Fork dimensions	s/e/l	mm	50/180/2350	50/180/2350
	4.25	Width over forks	b_5	mm	450 – 685	450 – 685
	4.31	Ground clearance	m_1	mm	40	40
	4.34	Aisle width for pallets 2x(800x1200) lengthways	A_{st}	mm	4132/4218	4132/4218
	4.35	Turning radius, short/long chassis	W_a	mm	3191/3277	3191/3277
	4.44	Clear width driver compartment entrance	l_{24}	mm	450	450
Performance data	5.1	Travel speed, with/without load		km/h	8,0/12,0	8,0/12,0
	5.1.1	Travel speed with remote drive		km/h	4	4
	5.2	Lift speed, with/without load		m/s	0,07/0,09	0,07/0,09
	5.3	Lowering speed, with/without load		m/s	0,06/0,06	0,06/0,06
	5.8	Max. gradeability, with/without load ¹⁾		%	8/13	8/13
	5.10	Service brake			Electromagnetic	Electromagnetic
Electric motor	6.1	Drive motor rating S2 60 min		kW	2,8	2,8
	6.2	Lift motor rating S3 7%		kW	2,0	2,0
	6.4	Battery voltage, nominal capacity K_s		V/Ah	24/310 – 620	24/310 – 620
	6.5	Battery weight, min./max.		kg	239/501	239/501
	6.6	Energy consumption acc to VDI cycle		kWh/h	0,61	0,61
	Other	8.1	Type of drive control			Powerdrive
8.4		Sound level at the driver's ear according to DIN 12 053		dB(A)	63	63

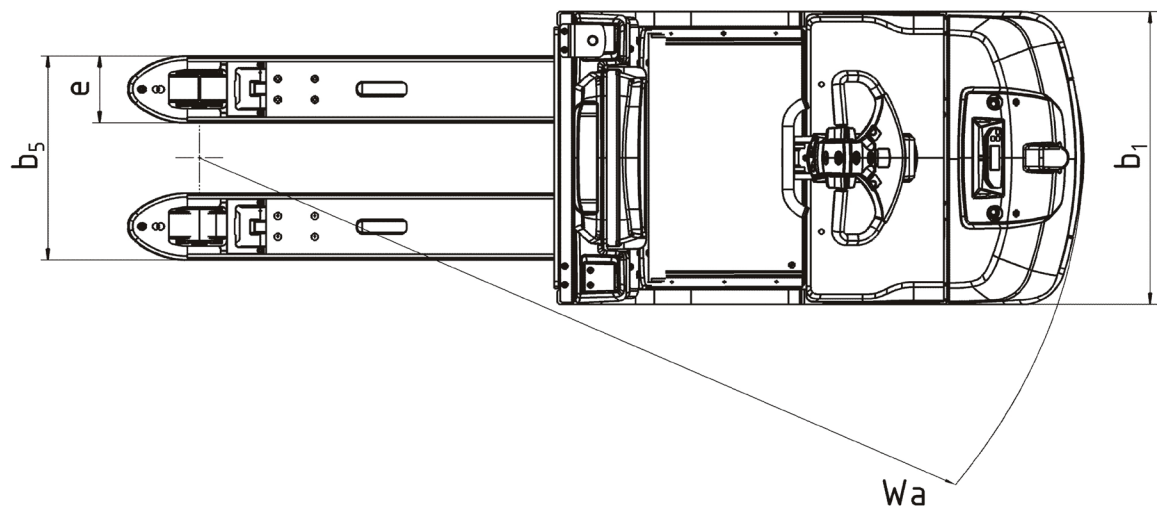
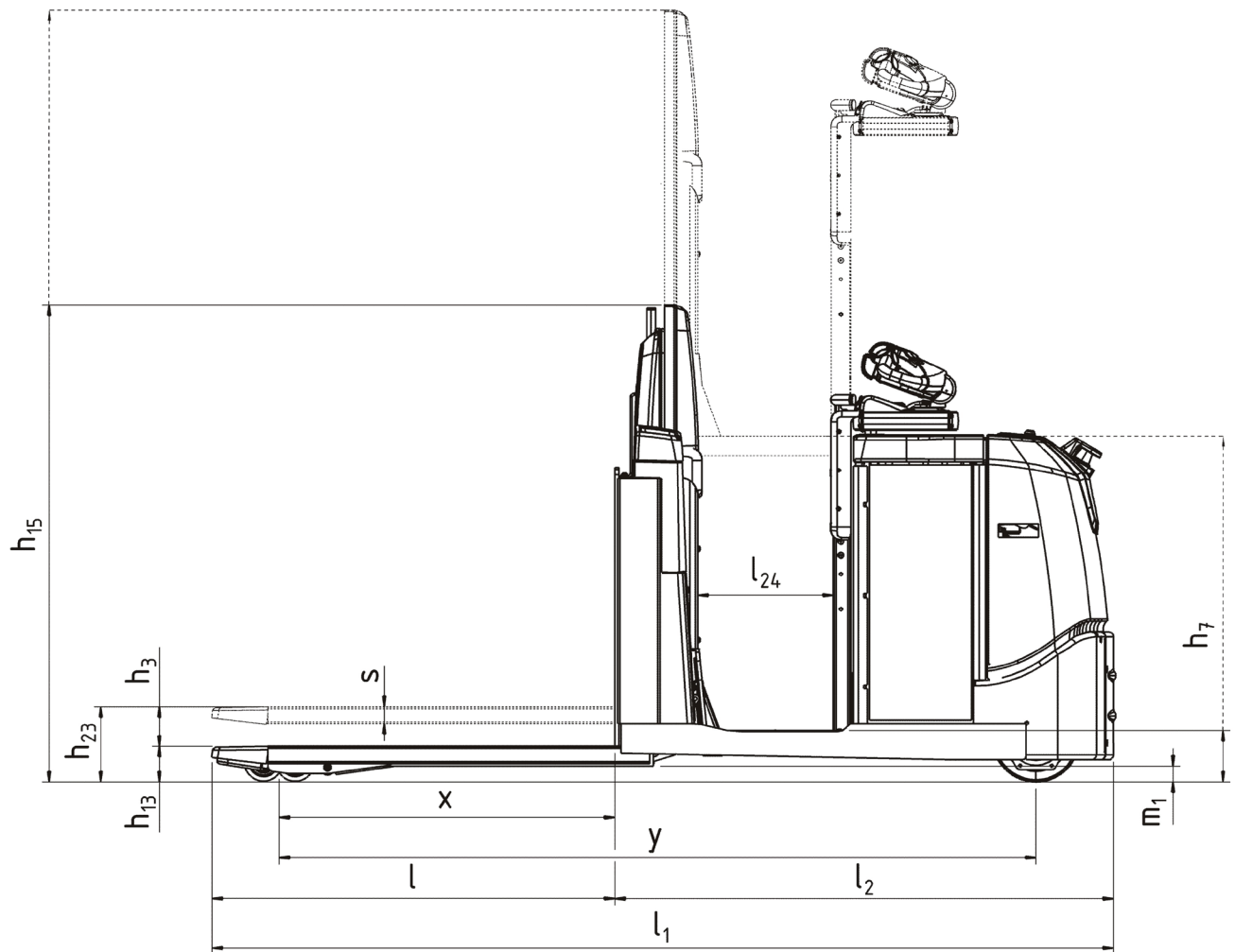
1) Measured according to company standard.

All data are based on table configuration. Other configurations may give other values.

Truck performance and dimensions are nominal and subject to tolerances.

Toyota Material Handling Manufacturing Sweden AB products and specifications are subject to change without notice.

Dimensional drawings



Truck features:

- High performance models
- Low step-in
- Optimized Truck Performance - a collection of features that will guarantee optimum performance & safety at all times
- T-mote, hands-free remote drive feature (incl. scanner, indication lights, information display, & remote control to operate the truck remotely). The t-mote system features adjustable proximity to racking, minor travel path correction and automatic and manual alignment left/right when inside the aisle
- E-man steering concept – easy and ergonomic access to all vital functions via the operation handle
- Adjustable E-man handle (option)

