

STANDARD EQUIPMENT

FGZN20.25.30

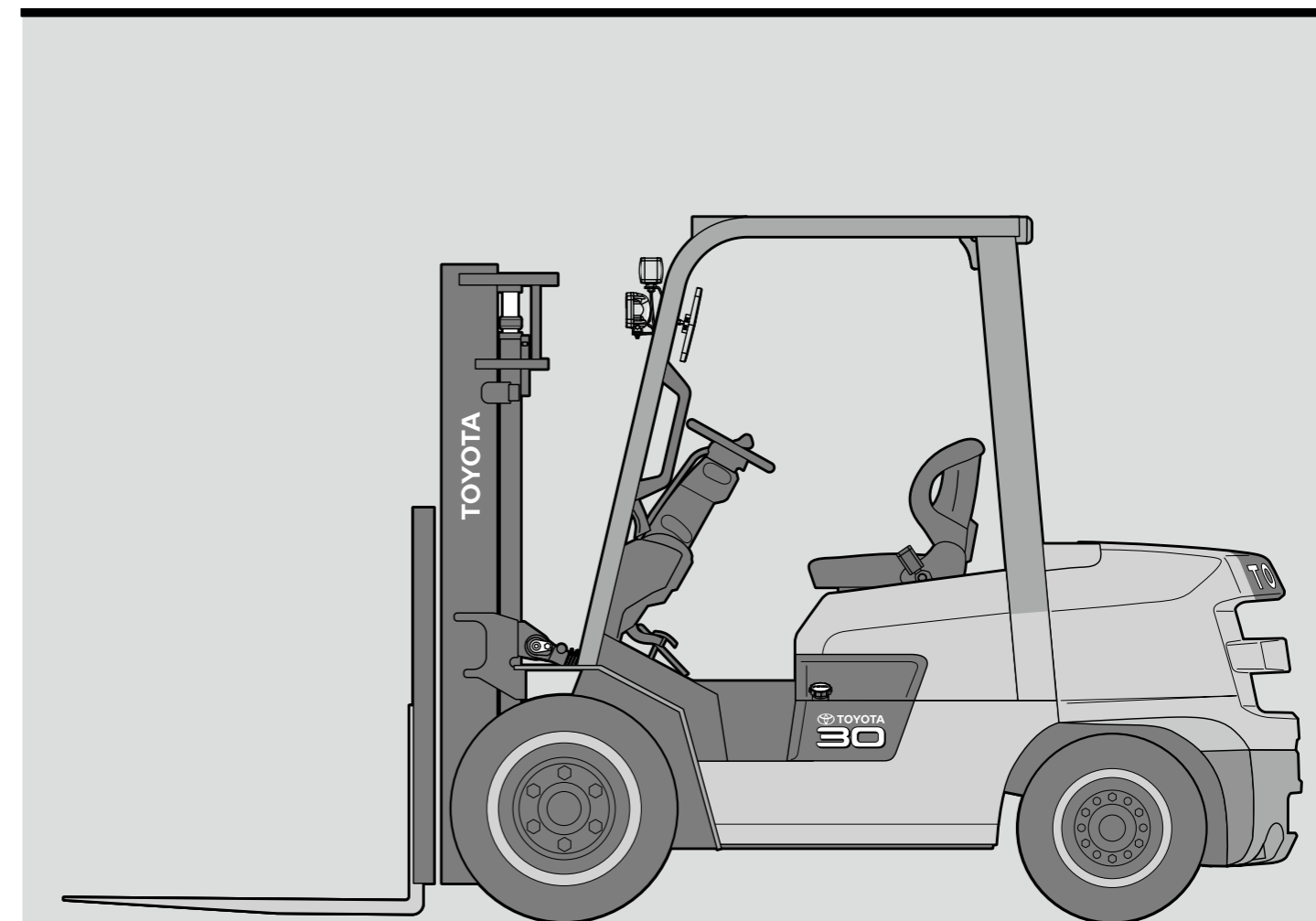
- Wide Visible Mast (V) [MFH:3000mm]
- Load backrest [Height:1220mm]
- Shockless landing (V mast)
- Key-Lift Interlock
- Alternator with IC regulator
- 7" cyclone air cleaner with snorkel air intake
- Radiator reservoir tank
- Double-action parking brake
- Neutral safety switch
- Electric shift control
- Full hydraulic power steering
- Overhead guard
- Tilt steering column
- Engine hood damper (lockable)
- Jack point
- Drawbar pin
- Headlights
- Integrated light & Turn signal switch
- Hour meter
- Engine water temperature indication
- All-time fuel meter
- Engine oil pressure warning light
- Charge warning light
- Electric horn

FDZN20.25.30

- Wide Visible Mast (V) [MFH:3000mm]
- Load backrest [Height:1220mm]
- Shockless landing (V mast)
- Key-Lift Interlock
- Alternator with IC regulator
- Super glow control system
- Pre-heat indicator light
- Sedimenter
- Sedimenter warning light
- 7" cyclone air cleaner with snorkel air intake
- Radiator reservoir tank
- Double-action parking brake
- Neutral safety switch
- Electric shift control
- Full hydraulic power steering
- Overhead guard
- Tilt steering column
- Engine hood damper (lockable)
- Jack point
- Drawbar pin
- Headlights
- Integrated light & Turn signal switch
- Hour meter
- Engine water temperature indication
- All-time fuel meter
- Engine oil pressure warning light
- Charge warning light
- Electric horn

ENGINE POWERED FORKLIFT

FGZN/FDZN 2.0 to 3.0 Ton Series



Availability and specifications are determined by market and are subject to change without notice. Please consult your Toyota representative for details.

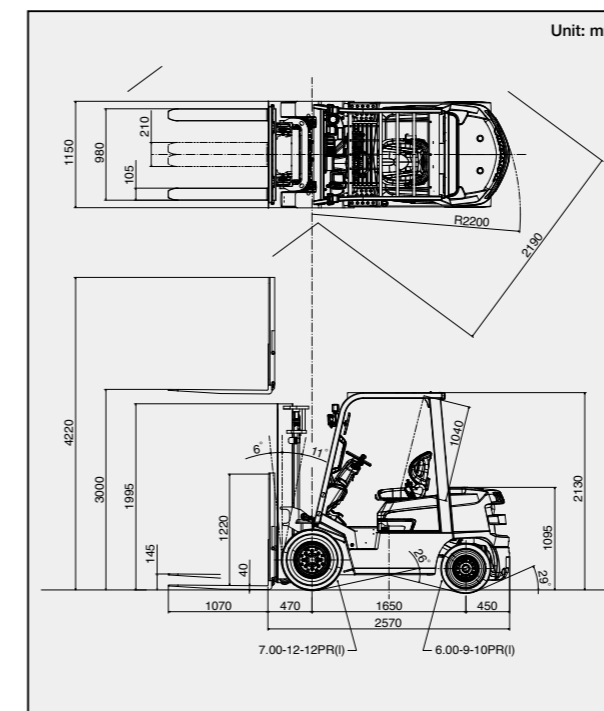
All rights reserved by Toyota Industries Corporation.

MAIN VEHICLE SPECIFICATIONS

Characteristics		TOYOTA		TOYOTA				
1	Manufacturer	TOYOTA		TOYOTA		1		
2	Model	FGZN20		FDZN20		2		
3	Load Capacity	kg	2000	2000		3		
4	Load Center	mm	500	500		4		
5	Power Type		Gasoline	Diesel		5		
6	Operator Position		Rider Seated	Rider Seated		6		
7	Tire Type	Front/Rear	Pneumatic	Pneumatic		7		
8	Wheels (x = driven)	Front/Rear	2x/2	2x/2		8		
Dimensions								
9	Maximum Fork Height (MFH)	mm	3000	3000		9		
10	Free Lift	mm	145	145		10		
13	Fork Size	T x W x L	40/100/1070	40/100/1070		13		
	Fork Spread (Outside)	MAX./MIN.	980/210	980/210				
14	Tilt Range	FWD/BWD	6-11	6-11		14		
15	Length to Fork Face	mm	2570	2570		15		
16	Overall Width	mm	1150	1150		16		
17	Mast Lowered Height	mm	1995	1995		17		
18	Mast Extended Height	mm	4220	4220		18		
19	Overhead Guard Height	mm	2130	2130		19		
21	Turning Radius (Outside)	mm	2200	2200		21		
22	Load Distance (Centerline of front axle to front face of forks)	mm	470	470		22		
	Rear Overhang	mm	450	450				
23	Basic Right Angle Stacking Aisle Width (Add load length and clearance)	mm	2670	2670		23		
Performance								
24	Travel, Max. (FWD/RVS)	Full Load	km/h	15.5/15.5	15.5/15.5	24		
		No Load	km/h	16.0/16.0	16.0/16.0			
	25	Speeds	Lifting	Full Load	mm/sec	490	510	25
			No Load	mm/sec	520	525		
	26	Lowering	Full Load	mm/sec	500	500	26	
			No Load	mm/sec	500	500		
28	Max. Drawbar Pull	Full Load	N <kg>	15800<1610>	18000<1840>	28		
		No Load	N <kg>	8500<870>	8500<870>			
	Max. Drawbar Pull at 1.5 km/h *	Full Load	N <kg>	14400<1470>	16400<1670>			
29	Gradeability at 1.5 km/h *	Full Load	% (tanθ)	29	33	29		
30	Max. Gradeability *	Full Load	% (tanθ)	32	37	30		
		No Load	% (tanθ)	21	21			
Weight								
32	Total Weight		kg	3285	3360	32		
33	Weight Distribution	Full Load	Front	kg	4605	4645	33	
			Rear	kg	680	715		
34	No Load	Front	kg	1425	1460	34		
		Rear	kg	1860	1900			
Wheels and Tires								
35	Number	Front/Rear		2/2		35		
36	Tires	Front		7.00-12-12PR(I)	7.00-12-12PR(I)	36		
		Rear		6.00-9-10PR(I)	6.00-9-10PR(I)			
37	Size					37		
38	Wheelbase	mm	1650	1650		38		
39	Tread	Front	mm	960	960	39		
		Rear	mm	965	965			
	Backrest Height	mm	1210	1210				
	Overhead Guard Clearance	mm	1040	1040				
	Counterweight Height	mm	1095	1095				
	Drawbar Pin Center Height	mm	420	420				
	Step Height/Floor Height	mm	440/685	440/685				
40	Underclearance (Full load)	Min. <Mast>	mm	90	90	40		
41	Center of Wheelbase		mm	165	165	41		
	Grade Clearance	Frame/Counterweight	% (tanθ)	58/64	58/64			
42	Brake	Service (Foot)		Hydraulic	Hydraulic	42		
43	Parking			Hand	Hand	43		
Drive Unit and Control								
45	Battery	Voltage/Capacity (5HR)	V/AH	12/27	12/55	45		
49	Make/Model			TOYOTA 4Y	TOYOTA 1DZ-II	49		
50	Rated Power/r.p.m.	kW (JIS ps)		30/2000 (41/2000)	35/2200 (48/2200)	50		
51	Rated Torque/r.p.m.	N-m (JIS kg-m)		153/1600 (15.6/1600)	156/2100 (15.9/2100)	51		
52	Internal Combustion Engine	Number of Cylinder		4	4	52		
		Piston Displacement	cc	2237	2486			
	Fuel Tank Capacity	liter		60	60			
55	Transmission	Type		Powershift	Powershift	55		
		Stage	FWD/RVS	1/1	1/1			
57	Operating Pressure	For Attachments	Mpa	15.7	15.7	57		

NOTE: * Computed values.

DIMENSIONAL DRAWINGS



UNDERCLEARANCE mm

Mast (Full Load)	90
Drive Axle (Full Load)	130
Steer Axle (No Load)	160
Center of Wheelbase (Full Load)	165
Counterweight (No Load)	130

RATED CAPACITIES

Unit: kg (W)

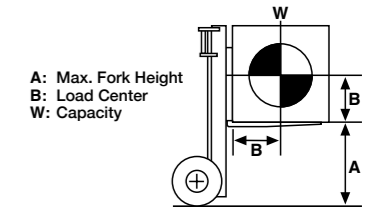
V Mast (PN or PSC)

A (mm)	3000	3500	4000	4500	5000
500	2000	2000	2000	1850	1750
600	1810	1810	1810	1670	1580
700	1650	1650	1650	1530	1450
800	1520	1520	1520	1410	1330
900	1410	1410	1410	1310	1240
1000	1320	1320	1320	1220	1150
1100	1230	1230	1230	1140	1080
1200	1160	1160	1160	1070	1010
1300	1090	1090	1090	1010	960

[] for Pneumatic-Shaped Cushion Tire.

FV Mast (PN or PSC)

A (mm)	3000	3500
500	2000	2000
600	1810	1810
700	1650	1650
800	1520	1520
900	1410	1410
1000	1320	1320
1100	1230	1230
1200	1160	1160
1300	1090	1090



FSV Mast (PN or PSC)

A (mm)	4300	4500	4700	5000	5500	6000
500	1900	1850	1850	1350	1100	750
600	1720	1680	1680	1220	990	680
700	1580	1530	1530	1120	910	620
800	1450	1410	1410	1030	840	570
900	1350	1310	1310	960	780	530
1000	1260	1220	1220	890	730	490
1100	1180	1150	1150	840	680	460
1200	1110	1080	1080	790	640	430
1300	1050	1020	1020	740	600	410

[] for Pneumatic-Shaped Cushion Tire.

MAST SPECIFICATIONS & RATED CAPACITIES

Mast Type	Maximum Fork Height	Overall Height		Free Lift		Single Tire				
		Lowered	Extended		Without Load Backrest	With Standard Load Backrest	Tilt Range		Load Capacity at 500 mm LC	
			Without Load Backrest	With Standard Load Backrest			FWD	BWD	Pneumatic Tire	Pneumatic-Shaped Cushion Tire
	mm	mm	mm	mm	mm	mm	deg	deg	kg	kg
Wide Visible Mast (V)	3000	1995	3670	4220	145	145	6	11	2000	2000
	3500	2245	4170	4720	145	145	6	11	2000	2000
	4000	2595	4670	5220	145	145	6	11	2000	2000
	4500	2845	5170	5720	145	145	6	6	1850	1850
5000	3095	5670	6220	145	145	6	6	1750	1800	
Wide Visible Full-Free Lift Two-Stage Mast (FV)	3000	1995	3605	4220	1390	775	6	11	2000	2000
	3500	2245	4105	4720	1640	1020	6	11	2000	2000
Wide Visible Full-Free Lift Three-Stage Mast (FSV)	4300	1995	4865	5520	1430	775	6	6	1900	1900
	4500	2065	5065	5720	1500	845	6	6	1850	1850
	4700	2145	5265	5920	1580	925	6	6	1850	1850
	5000	2245	5565	6220	1680	1025	6	6	1350	1500
	5500	2405	6065	6720	1840	1185	6	6	1100	1250
	6000	2595	6565	7220	2030	1375	6	6	750	900

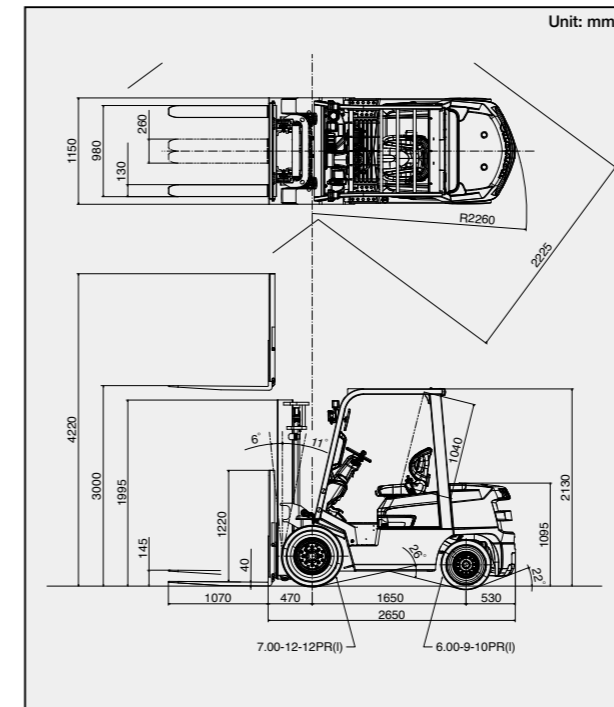
NOTE: Height of standard load backrest is 1220 mm.

MAIN VEHICLE SPECIFICATIONS

Characteristics		TOYOTA		TOYOTA							
1	Manufacturer		TOYOTA		TOYOTA	1					
2	Model		FGZN25		FDZN25	2					
3	Load Capacity	kg	2500		2500	3					
4	Load Center	mm	500		500	4					
5	Power Type		Gasoline		Diesel	5					
6	Operator Position		Rider Seated		Rider Seated	6					
7	Tire Type	Front/Rear	Pneumatic		Pneumatic	7					
8	Wheels (x = driven)	Front/Rear	2x/2		2x/2	8					
Dimensions	9	Maximum Fork Height (MFH)	mm	3000		3000	9				
	10	Free Lift	mm	145		145	10				
	13	Fork Size	T x W x L	mm	40/125/1070		40/125/1070	13			
		Fork Spread (Outside)	MAX./MIN.	mm	980/260		980/260				
	14	Tilt Range	FWD/BWD	deg	6-11		6-11	14			
	15	Length to Fork Face		mm	2650		2650	15			
	16	Overall Width		mm	1150		1150	16			
	17	Mast Lowered Height		mm	1995		1995	17			
	18	Mast Extended Height		mm	4220		4220	18			
	19	Overhead Guard Height		mm	2130		2130	19			
	21	Turning Radius (Outside)		mm	2260		2260	21			
	22	Load Distance (Centerline of front axle to front face of forks)		mm	470		470	22			
		Rear Overhang		mm	530		530				
	23	Basic Right Angle Stacking Aisle Width (Add load length and clearance)		mm	2730		2730	23			
	Performance	24	Travel, Max. (FWD/RVS)	Full Load	km/h	15.5/15.5		15.5/15.5	24		
No Load				km/h	16.0/16.0		16.0/16.0				
25		Speeds	Lifting	Full Load	mm/sec	490		510	25		
				No Load	mm/sec	520		525			
26			Lowering	Full Load	mm/sec	500		500	26		
				No Load	mm/sec	500		500			
28	Max. Drawbar Pull		Full Load	N <kg>	15700<1600>		17900<1830>	28			
			No Load	N <kg>	8000<820>		8000<820>				
29	Gradeability at 1.5 km/h *		Full Load	% (tanθ)	25		28	29			
			No Load	% (tanθ)	27		31				
30	Max. Gradeability *		Full Load	% (tanθ)	18		18	30			
			No Load	% (tanθ)	18		18				
Weight	32	Total Weight		kg	3595		3670	32			
			33	Weight Distribution	Full Load	Front	kg	5365		5405	33
						Rear	kg	730		765	
			34		No Load	Front	kg	1390		1425	34
Rear	kg	2205					2245				
35	Tires	Number	Front/Rear		2/2		2/2	35			
		Size	Front		7.00-12-12PR(I)		7.00-12-12PR(I)	36			
			Rear		6.00-9-10PR(I)		6.00-9-10PR(I)	37			
Wheels and Tires	38	Wheelbase		mm	1650		1650	38			
			Front	mm	960		960				
	39	Tread		mm	965		965	39			
			Rear	mm	965		965				
		Backrest Height		mm	1210		1210				
		Overhead Guard Clearance		mm	1040		1040				
		Counterweight Height		mm	1095		1095				
		Drawbar Pin Center Height		mm	415		415				
		Step Height/Floor Height		mm	440/685		440/685				
	40	Underclearance (Full load)	Min. <Mast>	mm	90		90	40			
Center of Wheelbase			mm	165		165	41				
42	Grade Clearance	Frame/Counterweight	% (tanθ)	58/49		58/49	42				
		Service (Foot)		Hydraulic		Hydraulic	42				
43	Brake	Parking		Hand		Hand	43				
Drive Unit and Control	45	Battery	Voltage/Capacity (5HR)	V/AH	12/27		12/55	45			
			Make/Model		TOYOTA 4Y		TOYOTA 1DZ-II	49			
	50	Rated Power/r.p.m.		kW (JIS ps)	30/2000 (41/2000)		35/2200~48/2200>	50			
			Rated Torque/r.p.m.	N-m (JIS kg-m)	153/1600 (15.6/1600)		156/2100<15.9/2100>	51			
	52	Internal Combustion Engine	Number of Cylinder		4		4	52			
			Piston Displacement	cc	2237		2486				
55	Transmission	Fuel Tank Capacity	liter	60		60					
		Type		Powershift		Powershift					
57	Operating Pressure	Stage	FWD/RVS	1/1		1/1	55				
		For Attachments		Mpa	15.7		15.7	57			

NOTE: * Computed values.

DIMENSIONAL DRAWINGS



UNDERCLEARANCE mm

Mast (Full Load)	90
Drive Axle (Full Load)	130
Steer Axle (No Load)	160
Center of Wheelbase (Full Load)	165
Counterweight (No Load)	130

RATED CAPACITIES

Unit: kg (W)

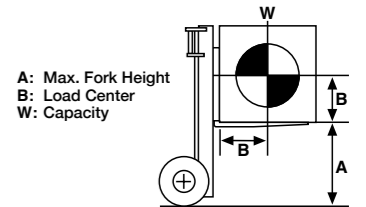
V Mast (PN or PSC)

A (mm)	3000	3500	4000	4500	5000
500	2500	2500	2500	2050 [2200]	1600 [1750]
600	2260	2260	2260	1850 [1990]	1450 [1580]
700	2070	2070	2070	1700 [1820]	1320 [1450]
800	1910	1910	1910	1560 [1680]	1220 [1330]
900	1770	1770	1770	1450 [1550]	1130 [1240]
1000	1650	1650	1650	1350 [1450]	1050 [1150]
1100	1540	1540	1540	1270 [1360]	980 [1080]
1200	1450	1450	1450	1190 [1270]	930 [1010]
1300	1370	1370	1370	1120 [1200]	870 [960]

[] for Pneumatic-Shaped Cushion Tire.

FV Mast (PN or PSC)

A (mm)	3000	3500
500	2500	2500
600	2260	2260
700	2070	2070
800	1910	1910
900	1770	1770
1000	1650	1650
1100	1540	1540
1200	1450	1450
1300	1370	1370



FSV Mast (PN or PSC)

A (mm)	4300	4500	4700	5000	5500	6000
500	2300	2000	2000	1400 [1550]	1150 [1300]	800 [950]
600	2080	1810	1810	1270 [1400]	1040 [1180]	720 [860]
700	1910	1660	1660	1160 [1280]	950 [1080]	660 [790]
800	1760	1530	1530	1070 [1180]	880 [990]	610 [720]
900	1630	1420	1420	990 [1100]	810 [920]	560 [670]
1000	1520	1320	1320	930 [1020]	760 [860]	530 [630]
1100	1430	1240	1240	870 [960]	710 [800]	490 [590]
1200	1340	1170	1170	820 [900]	670 [760]	460 [550]
1300	1270	1100	1100	770 [850]	630 [710]	440 [520]

[] for Pneumatic-Shaped Cushion Tire.

MAST SPECIFICATIONS & RATED CAPACITIES

Mast Type	Maximum Fork Height	Overall Height		Free Lift		Tilt Range		Load Capacity at 500 mm LC		
		Lowered	Extended		Without Load Backrest	With Standard Load Backrest	FWD	BWD	Pneumatic Tire	Pneumatic-Shaped Cushion Tire
			Without Load Backrest	With Standard Load Backrest						
Wide Visible Mast (V)	3000	1995	3670	4220	145	145	6	11	2500	2500
	3500	2245	4170	4720	145	145	6	11	2500	2500
	4000	2595	4670	5220	145	145	6	11	2500	2500
	4500	2845	5170	5720	145	145	6	6	2050	2200
	5000	3095	5670	6220	145	145	6	6	1600	1750
Wide Visible Full-Free Lift Two-Stage Mast (FV)	3000	1995	3605	4220	1390	775	6	11	2500	2500
	3500	2245	4105	4720	1640	1020	6	11	2500	2500
Wide Visible Full-Free Lift Three-Stage Mast (FSV)	4300	1995	4865	5520	1430	775	6	6	2300	2300
	4500	2065	5065	5720	1500	845	6	6	2000	2000
	4700	2145	5265	5920	1580	925	6	6	2000	2000
	5000	2245	5565	6220	1680	1025	6	6	1400	1550
	5500	2405	6065	6720	1840	1185	6	6	1150	1300
6000	2595	6565	7220	2030	1375	6	6	800	950	

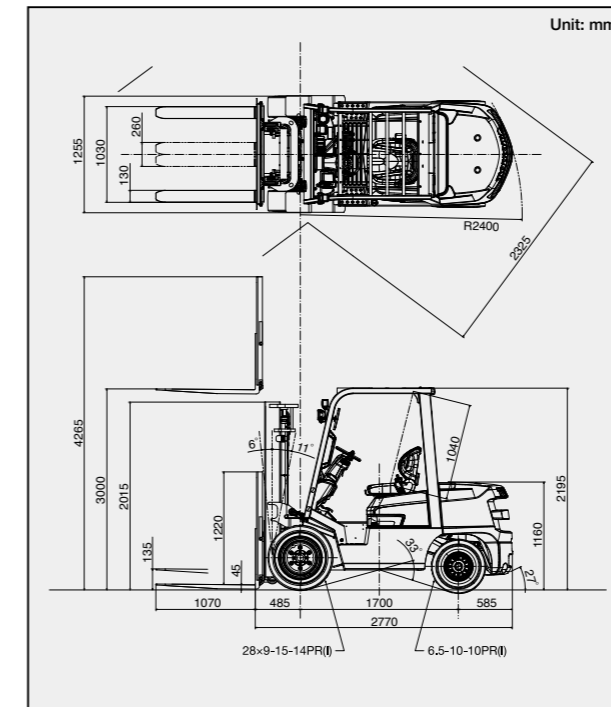
NOTE: Height of standard load backrest is 1220 mm.

MAIN VEHICLE SPECIFICATIONS

Characteristics		TOYOTA		TOYOTA			
1	Manufacturer	TOYOTA		TOYOTA		1	
2	Model	FGZN30		FDZN30		2	
3	Load Capacity	kg	3000	3000		3	
4	Load Center	mm	500	500		4	
5	Power Type		Gasoline	Diesel		5	
6	Operator Position		Rider Seated	Rider Seated		6	
7	Tire Type	Front/Rear	Pneumatic	Pneumatic		7	
8	Wheels (x = driven)	Front/Rear	2x/2	2x/2		8	
Dimensions							
9	Maximum Fork Height (MFH)	mm	3000	3000		9	
10	Free Lift	mm	135	135		10	
13	Fork Size	T x W x L	45/125/1070	45/125/1070		13	
	Fork Spread (Outside)	MAX./MIN.	1030/260	1030/260			
14	Tilt Range	FWD/BWD	6-11	6-11		14	
15	Length to Fork Face	mm	2770	2770		15	
16	Overall Width	mm	1255	1255		16	
17	Mast Lowered Height	mm	2015	2015		17	
18	Mast Extended Height	mm	4265	4265		18	
19	Overhead Guard Height	mm	2195	2195		19	
21	Turning Radius (Outside)	mm	2400	2400		21	
22	Load Distance (Centerline of front axle to front face of forks)	mm	485	485		22	
	Rear Overhang	mm	585	585			
23	Basic Right Angle Stacking Aisle Width (Add load length and clearance)	mm	2895	2895		23	
Performance							
24	Travel, Max. (FWD/RVS)	Full Load	km/h	14.5/14.5	14.5/14.5	24	
		No Load	km/h	15.0/15.0	15.0/15.0		
	Lifting	Full Load	mm/sec	390	400	25	
		No Load	mm/sec	410	420		
	Lowering	Full Load	mm/sec	500	500	26	
		No Load	mm/sec	500	500		
28	Max. Drawbar Pull	Full Load	N <kg>	16500<1680>	18800<1920>	28	
		No Load	N <kg>	9000<920>	9000<920>		
	Max. Drawbar Pull at 1.5 km/h *	Full Load	N <kg>	14900<1520>	17000<1730>		
29	Gradeability at 1.5 km/h *	Full Load	% (tanθ)	21	25	29	
30	Max. Gradeability *	Full Load	% (tanθ)	24	28	30	
		No Load	% (tanθ)	19	19		
Weight							
32	Total Weight		kg	4185	4255	32	
33	Weight Distribution	Full Load	Front	kg	6345	6375	33
			Rear	kg	840	880	
34	Weight Distribution	No Load	Front	kg	1605	1635	34
			Rear	kg	2580	2620	
Wheels and Tires							
35	Tires	Number	Front/Rear	2/2	2/2	35	
36	Tires	Size	Front		28x9-15-14PR(I)	36	
			Rear		6.5-10-10PR(I)		
37	Wheelbase		mm	1700	1700	37	
39	Tread		Front	mm	1010	39	
			Rear	mm	965		
	Backrest Height		mm	1215	1215		
	Overhead Guard Clearance		mm	1040	1040		
	Counterweight Height		mm	1160	1160		
	Drawbar Pin Center Height		mm	450	450		
	Step Height/Floor Height		mm	495/740	495/740		
40	Underclearance (Full load)	Min. <Mast>	mm	95	95	40	
41	Grade Clearance	Center of Wheelbase	mm	220	220	41	
		Frame/Counterweight	% (tanθ)	73/60	73/60		
42	Brake	Service (Foot)		Hydraulic	Hydraulic	42	
43		Parking		Hand	Hand	43	
Drive Unit and Control							
45	Battery	Voltage/Capacity (5HR)	V/AH	12/27	12/55	45	
49		Make/Model		TOYOTA 4Y	TOYOTA 1DZ-II	49	
50		Rated Power/r.p.m.	kW (JIS ps)	30/2000<41/2000>	35/2200<48/2200>	50	
51		Rated Torque/r.p.m.	N-m (JIS kg-m)	153/1600<15.6/1600>	156/2100<15.9/2100>	51	
52		Number of Cylinder		4	4	52	
		Piston Displacement	cc	2237	2486		
		Fuel Tank Capacity	liter	60	60		
55	Transmission	Type		Powershift	Powershift	55	
		Stage	FWD/RVS	1/1	1/1		
57	Operating Pressure	For Attachments	Mpa	15.7	15.7	57	

NOTE: * Computed values.

DIMENSIONAL DRAWINGS



UNDERCLEARANCE mm

Mast (Full Load)	95
Drive Axle (Full Load)	125
Steer Axle (No Load)	180
Center of Wheelbase (Full Load)	220
Counterweight (No Load)	180

RATED CAPACITIES

Unit: kg (W)

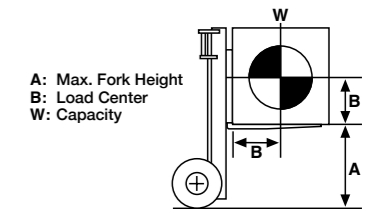
V Mast (PN or PSC)

A (mm)	3000	3500	4000	4500	5000
500	3000	3000	3000	2900	2500 [2650]
600	2720	2720	2720	2630	2260 [2400]
700	2490	2490	2490	2410	2070 [2200]
800	2290	2290	2290	2220	1910 [2030]
900	2130	2130	2130	2060	1770 [1880]
1000	1980	1980	1980	1920	1650 [1750]
1100	1860	1860	1860	1800	1550 [1640]
1200	1750	1750	1750	1690	1460 [1540]
1300	1650	1650	1650	1600	1370 [1460]

[] for Pneumatic-Shaped Cushion Tire.

FV Mast (PN or PSC)

A (mm)	3000	3500
500	3000	3000
600	2720	2720
700	2490	2490
800	2290	2290
900	2130	2130
1000	1980	1980
1100	1860	1860
1200	1750	1750
1300	1650	1650



FSV Mast (PN or PSC)

A (mm)	4300	4500	4700	5000	5500	6000
500	2850	2800	2800	2500 [2650]	1800 [1950]	1400 [1550]
600	2580	2540	2540	2270 [2400]	1630 [1770]	1270 [1400]
700	2370	2330	2330	2080 [2200]	1490 [1620]	1160 [1290]
800	2180	2150	2150	1920 [2030]	1380 [1490]	1070 [1190]
900	2030	1990	1990	1780 [1890]	1280 [1390]	990 [1100]
1000	1890	1860	1860	1660 [1760]	1190 [1290]	930 [1030]
1100	1770	1740	1740	1550 [1650]	1120 [1210]	870 [960]
1200	1670	1640	1640	1460 [1550]	1050 [1140]	820 [900]
1300	1570	1550	1550	1380 [1460]	990 [1080]	770 [850]

[] for Pneumatic-Shaped Cushion Tire.

MAST SPECIFICATIONS & RATED CAPACITIES

Mast Type	Maximum Fork Height	Overall Height				Free Lift		Tilt Range		Single Tire	
		Lowered	Extended		Without Load Backrest	With Standard Load Backrest	FWD	BWD	Load Capacity at 500 mm LC		
			Without Load Backrest	With Standard Load Backrest					Pneumatic Tire	Pneumatic-Shaped Cushion Tire	
	mm	mm	mm	mm	mm	mm	deg	deg	kg	kg	
Wide Visible Mast (V)	3000	2015	3765	4265	135	135	6	11	3000	3000	
	3500	2265	4265	4765	135	135	6	11	3000	3000	
	4000	2615	4765	5265	135	135	6	11	3000	3000	
	4500	2865	5265	5765	135	135	6	6	2900	2900	
	5000	3115	5765	6265	135	135	6	6	2500	2650	
Wide Visible Full-Free Lift Two-Stage Mast (FV)	3000	2015	3660	4265	1400	795	6	11	3000	3000	
	3500	2265	4160	4765	1650	1045	6	11	3000	3000	
Wide Visible Full-Free Lift Three-Stage Mast (FSV)	4300	2165	4960	5565	1550	945	6	6	2850	2850	
	4500	2215	5160	5765	1600	995	6	6	2800	2800	
	4700	2265	5360	5965	1650	1045	6	6	2800	2800	
	5000	2425	5660	6265	1810	1205	6	6	2500	2650	
	5500	2615	6160	6765	2000	1395	6	6	1800	1950	
	6000	2865	6660	7265	2250	1645	6	6	1400	1550	

NOTE: Height of standard load backrest is 1220 mm.